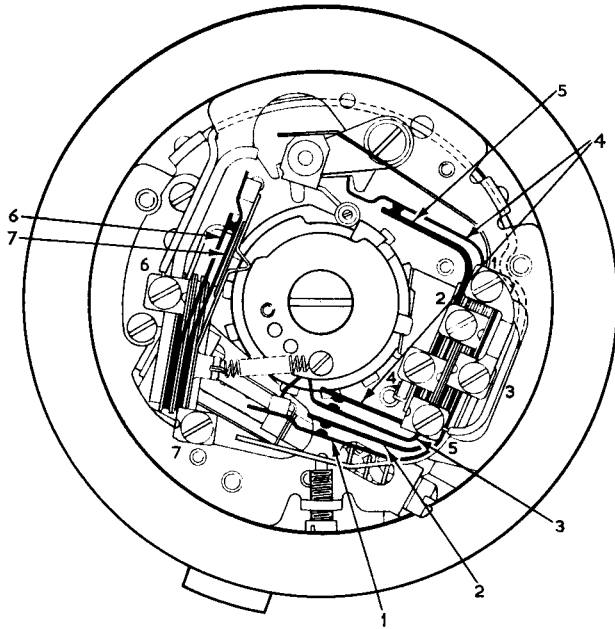
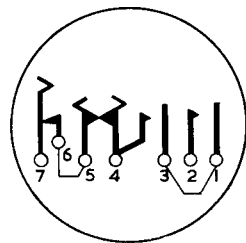


REAR VIEW SHOWING NUMBERING OF CONTACT SPRINGS AND TERMINALS.



NOTES :-

1. Dials Auto No.22, are suitable for use in place of Dials Auto No.13.
2. Supplied with terminals 1&3, 5&6 strapped.



WIRING SYMBOL

P.O.E.D. S BCH.	ISSUES			
PAPER : W	ISSUES			
CIRCULATION GENERAL	ISSUES	A	New format.	
			S1/1 F.E.Troke	GRL. 6-10-67 12-5-64