

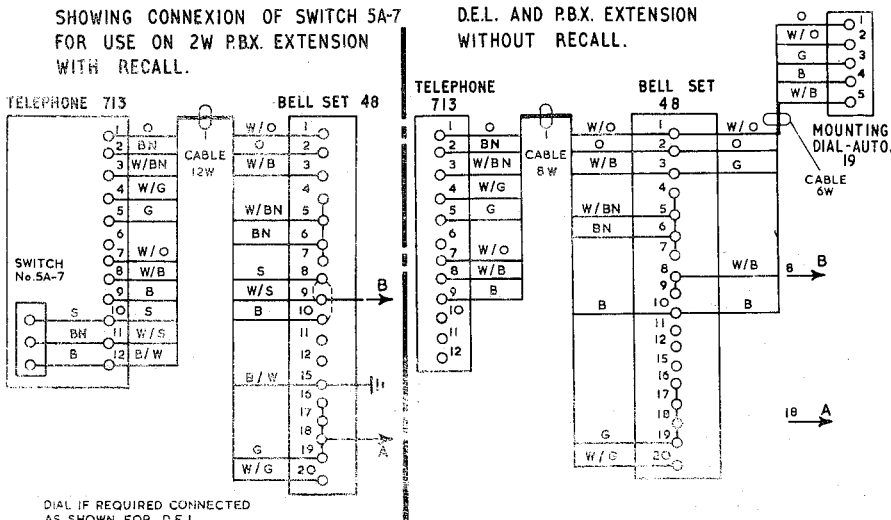
# C.B. AND AUTOMATIC SYSTEMS CONNEXIONS OF TELEPHONE 713..., BELL-SET 48 AND MOUNTING, DIAL-AUTO 19.

N4699  
PAGE 1-2  
ISSUE B

## WIRING

SHOWING CONNEXION OF SWITCH 5A-7  
FOR USE ON 2W P.B.X. EXTENSION  
WITH RECALL.

D.E.L. AND P.B.X. EXTENSION  
WITHOUT RECALL.



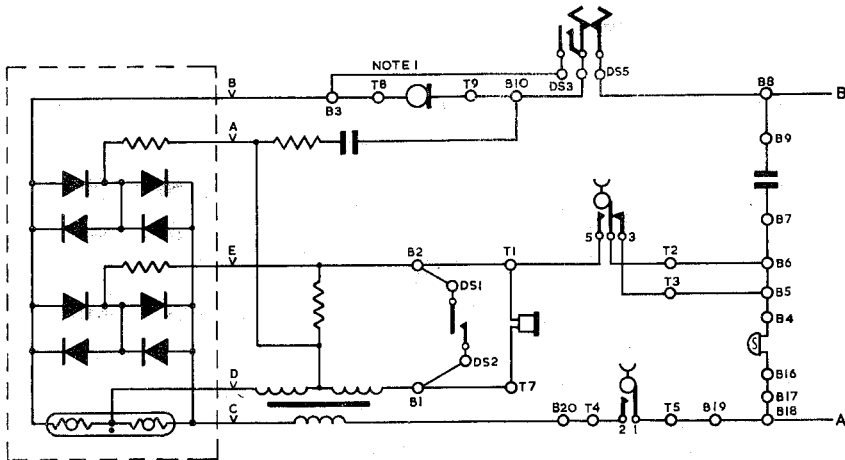
DIAL IF REQUIRED CONNECTED  
AS SHOWN FOR D.E.L.

## NOTES

- Apparatus required:-  
Telephone 713  
Bell-Set 48  
Mounting Dial-Auto 19  
Switch 5A-7  
Part 2/DBU/344  
Part 1/DSP/1279 } When required
- For C.B. system or when dialling facility is not required omit Mounting Dial-Auto 19 and strap terminals 8 and 10 in Bell-Set 48.
- An Extension Bell may be connected in place of strap between terminals 17 and 18 in Bell-Set 48.
- For D.E.L. and P.B.X. extension without recall connect as shown above.
- When switch 5A-7 or part 1/DSP/1279 is fitted into the telephone a 12w. cable is required between Bell-Set 48 and Telephone 713, the additional conductors are used to complete connexions to the add-on unit as shown above. Examples of the use of Switch 5A-7 and the Auxiliary Gravity Springset, part 1/DSP/1279, are shown on page 2.
- To fit a Buzzer 32A-1 to the Bell-Set 48 an additional bracket, part 1/DBR/442, is required. The Buzzer 32A-1 should be positioned below the Induction Coil, part 1/DBR/442 being secured by the printed circuit board fixing screw adjacent to terminal 1.

PO TELECOMMS. HQRS.			
PAPER: W			
CIRCULATION C.B. & AUTO			
ISSUES	B	Dial off-normal connexions re-arranged.	14. 11. 69.
	A	New format. Minor amendments.	8-6-67
		F E Troke, SL/1	14-10-63
		TD 2-3-1 Section.	

FOR USE ON D.E.L. AND P.B.X. EXTENSION WITHOUT RECALL



NOTES:—

1. On earlier issues DS3 was connected to B20 instead of B3.

SHOWING CONNEXIONS OF SWITCH 5A-7 FOR USE ON 2W P.B.X. EXTENSION WITH RECALL.

SHOWING CONNEXIONS OF SWITCH 5A-7 AND PART 1/DSP/1279, FOR USE ON EXTENSION OF P.M.B.X.'S WITH C WIRE SIGNALLING.

SHOWING CONNEXIONS OF SWITCH 5A-7 AND BUZZER 32A-1 FOR USE ON EXTENSION OF PLAN 107.

