

AUTOMATIC SYSTEM
EXTENSION PLAN 4 (INTERNAL ONLY) USING TELEPHONE No. 776-1 (COMPACT)

NOTES:-

1. The facilities of Plan 4 are shown on Diagram N1427.
2. To provide Plan 4 off Plan 1A Facilities any jack position may be replaced by the appropriate Plan 1A station using either a telephone No. 776-1 wired to Diagram N2802, or a Telephone No. 746 or equivalent wired to Diagram N4502.
3. The number of bells that can be rung directly from the exchange line must not exceed 4.
4. APPARATUS REQUIRED WITH ONE PORTABLE TELEPHONE

Telephone No. 776-1
 Plug No. 420 Grey 5A

MAIN

Jack No. 139A

EXTENSIONS

Bell-Unit No. 776
 Jack No. 139A

Cr:-

Jack No. 95...

ADDITIONAL PORTABLE TELEPHONES

Telephone No. 776-1 } as required
 Plug No. 420 Grey 5A }

The surplus bell unit should be used at one of the extension jack points.

5. The exchange line may be connected to a Jack No. 95... or Bell-Unit No. 776 at an Extension if more convenient.

MAIN

6. Recover Cord Inst No. 4/127AX from Telephone No. 776-1 and provide Plug No. 420 Grey 5A. Fit Jack No. 139A within Bell-Set No. 776. Rearrange straps and connect as shown.

EXTENSION

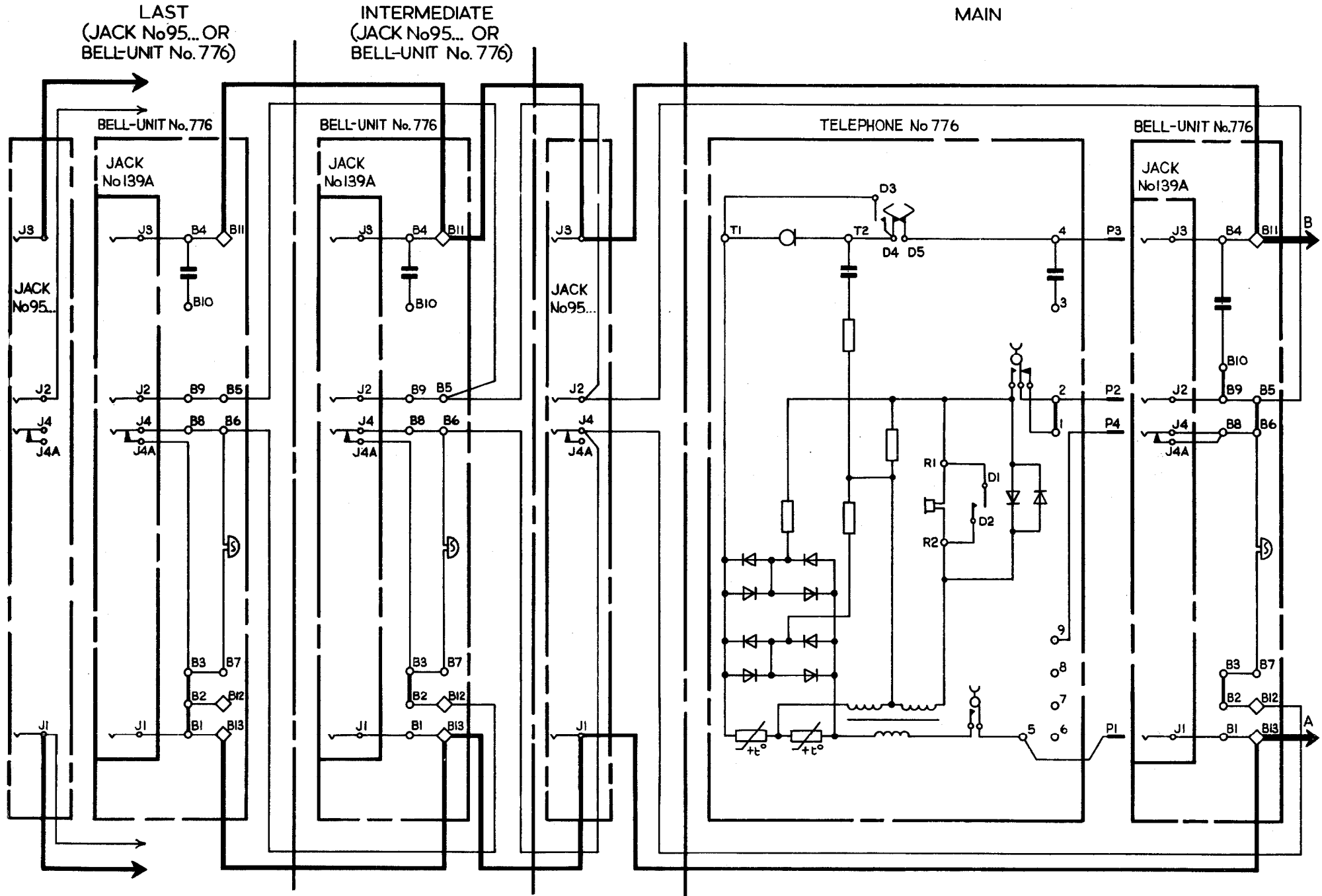
7. Fit Jack No. 95..., or Bell Unit No. 776 containing Jack No. 139A. Rearrange straps and connect as shown.
8. If the bell in an Extension Bell-Unit No. 776 is required to be permanently connected, shift Black lead of Jack No. 139A from terminal B3 to B8.
9. When a Switch No. 35A-2 (Bell On/Off) is provided within a Bell-Unit No. 776, connect blue lead to Terminal B8, slate and brown leads to Terminal B3. Shift black lead of Jack No. 139A from Terminal B3 to B8.

EXTENSION BELL

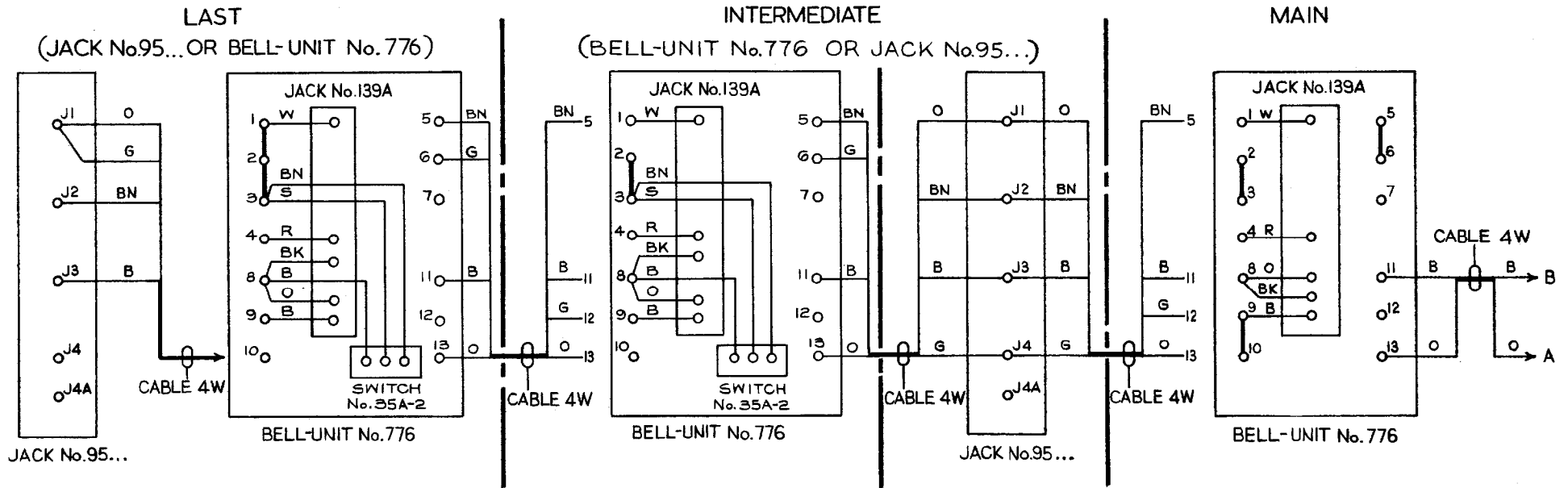
10. When an extension bell is required at Main or Extension Bell-Unit No. 776, remove strap between Terminals B2 and B3. Connect extension bell between Terminals B7 and B12.

PD TELECOMMS HQRS PAPER:- W DISTN:- CB & AUTO	ISSUE		
		<i>John Mitchell</i> TD7.1.1	7-3-78

EXPLANATORY



WIRING



JACK No. 139A
MOUNTED WITHIN BELL-UNIT No. 776



JACK
No 95...

