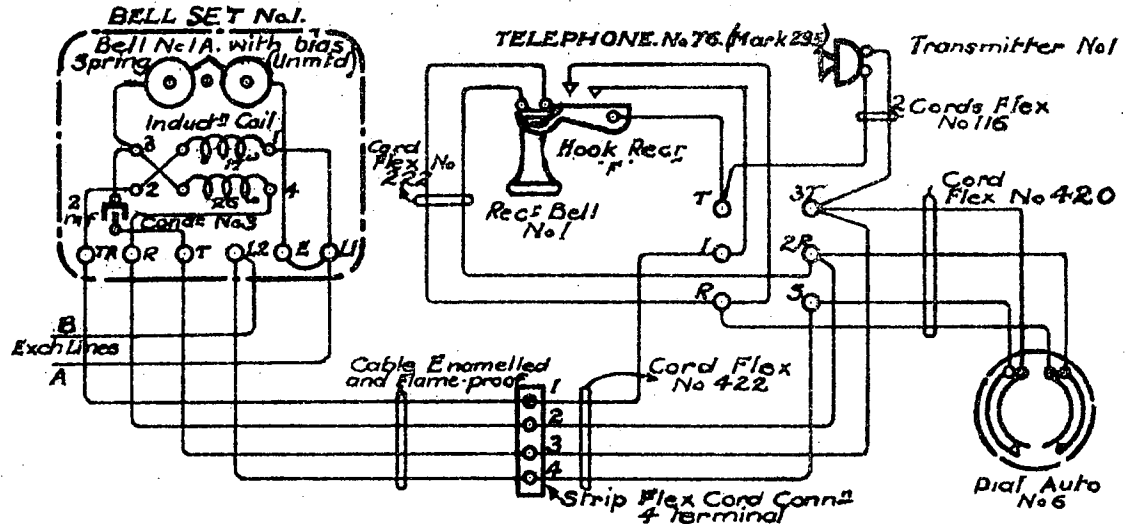


AUTOMATIC TELEPHONE EXCHANGES TELEPHONE No 76 (MARK.235.) W.E.C. SYSTEM.

N.176^A 17.12.19
A.J.320.^C 19.11.18.
S.E.1159 ISSUE 2.



- Note. 1. Telephone No 76 (Mark 235) is used at Dudley & Mark 234 at Darlington.
- Note. 2. Modifications necessary for two party line Wkg. unlimited rate on Bell Set No. 1.
- X Party. Disconnect Strap between term. LI and E, earth term. E, join A line to Terminal L2, and B line to LI.
- Y Party. Disconnect strap between term. LI and E, and Earth terminal E.