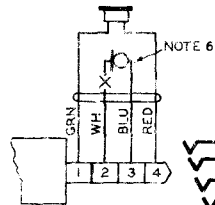


N1627

10 PANELS-12

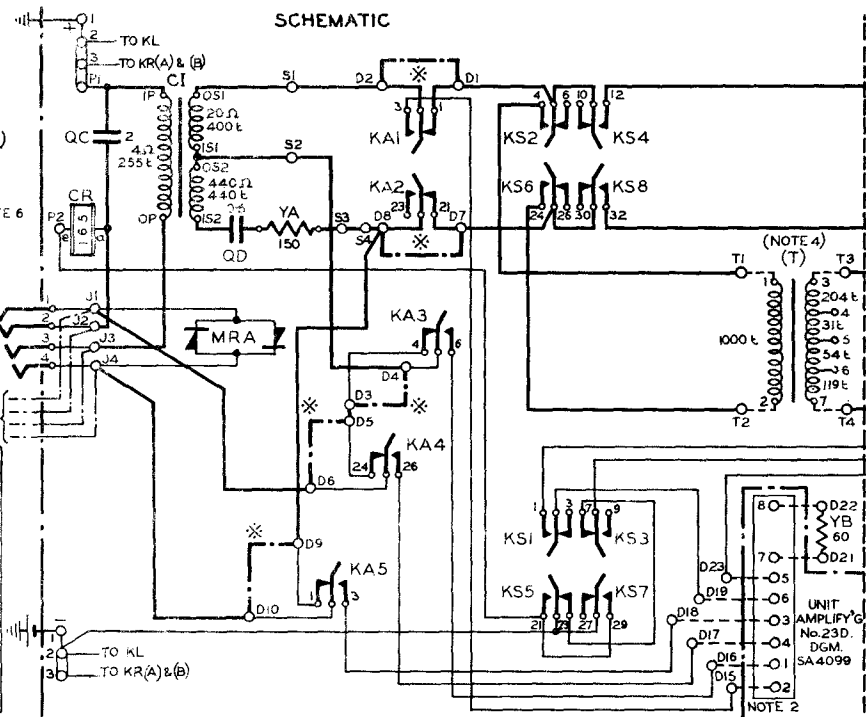
SCHEMATIC

✱ --- ✱
OMIT STRAPS ONLY
WHEN WORKING WITH
AMPLIFIER (SEE NOTE 5)



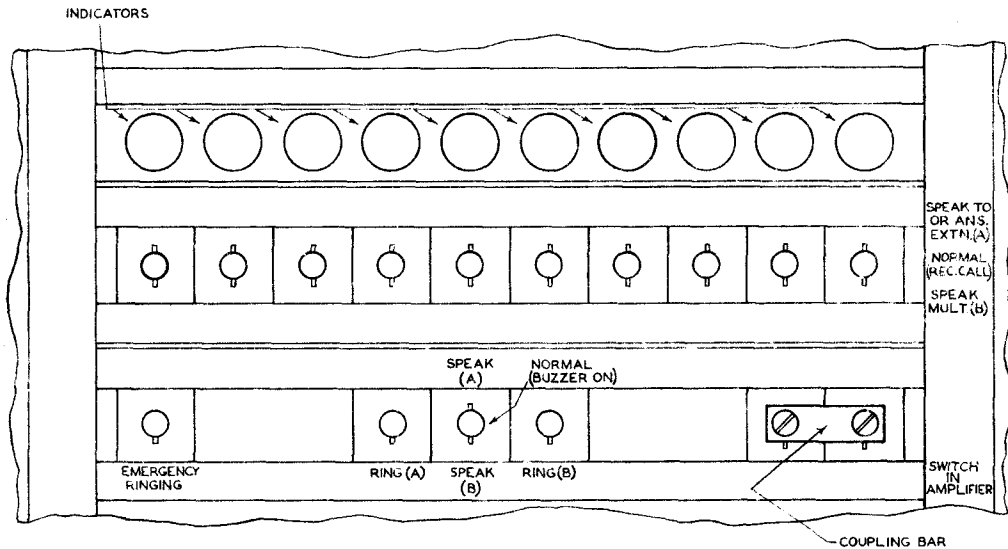
TO REMOTE
ANNOUNCING POINT
IF REQUIRED

STRIP CONNEXION SC1 TERMINALS	
A	'A' LINES
B	'B' "
F	AUXILIARY TELEPHONE JACK
J	OPERATOR'S PRIMARY RINGING
P	TRANSFORMER
R	BATTERY
T	EARTH
+	
STRIP CONNEXION SC2 TERMINALS	
C	COUPLING
D	AMPLIFIER KEY & YB
G	STANDBY HAND GENR. SWITCH, FOOT No. 1
S	



NOTE 2

KEY LABELLING
FRONT VIEW OF SWITCHBOARD



CIRCULATION.

GENERAL

SWITCHBOARD MULTIPHONE N1627

(SEE E.I. TELES. STATIONS E 1101)

FOR INTERNAL WIRING SEE DGM. LD 83

10 LINES: FOR USE WITH P.W's. AND/OR P.B.X. EXTENSIONS USING L.B. TELES. AT OUTSTATIONS

N 1627

10 PANELS-5

17-1-42

SUPERSEDES FOR NEW WORK N 1612

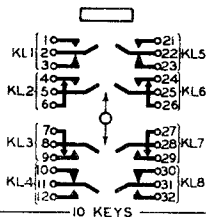
KEY FUNCTIONS (AS SEEN FROM REAR)

1	2	3	4	5	6	7	8	9	10

KEY COMMONING AMENDED (PANELS 3, 4, 5, 6, 7)
 FOR MARK 2 SEE PANELS 6 & 7.
 OLD PANELS 6, 7, 8 NOW 6, 9, 10.
 YB resistances deleted. E&S terms. inserted. 10-7-42 A

AMENDMENT.

KL

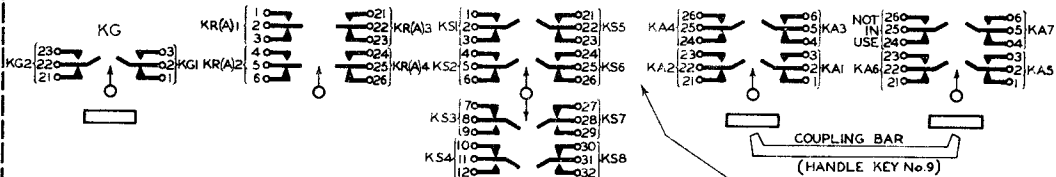


KL KEY FUNCTIONS	SPRING SETS OPERATED
SPEAK TO, OR ANS. EXTENSION (A)	KL 4, 8, 3 AND 7
NORMAL (REC. CALL)	ALL SPRINGS NORMAL
SPEAK MULTIPHONE (B)	KL 2, 6, 1 AND 5

KR(A)

KS

KA



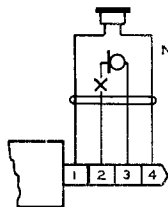
KS KEY FUNCTIONS	SPRING SETS OPERATED
SPEAK (A)	KS 4, 3, 7 AND 8
NORMAL (BUZZER ON)	ALL SPRINGS NORMAL
SPEAK (B)	KS 1, 2, 6 AND 5

KR(B) MOUNTED BETWEEN KS & KA AND IS SIMILAR TO KR(A).

N 1627
10 PANELS-6

SCHMATIC (THIS PANEL IS IDENTICAL WITH PANEL 2)

* --- X ---
OMIT STRAPS ONLY
WHEN WORKING WITH
AMPLIFIER (SEE NOTE 5)



NOTE 5

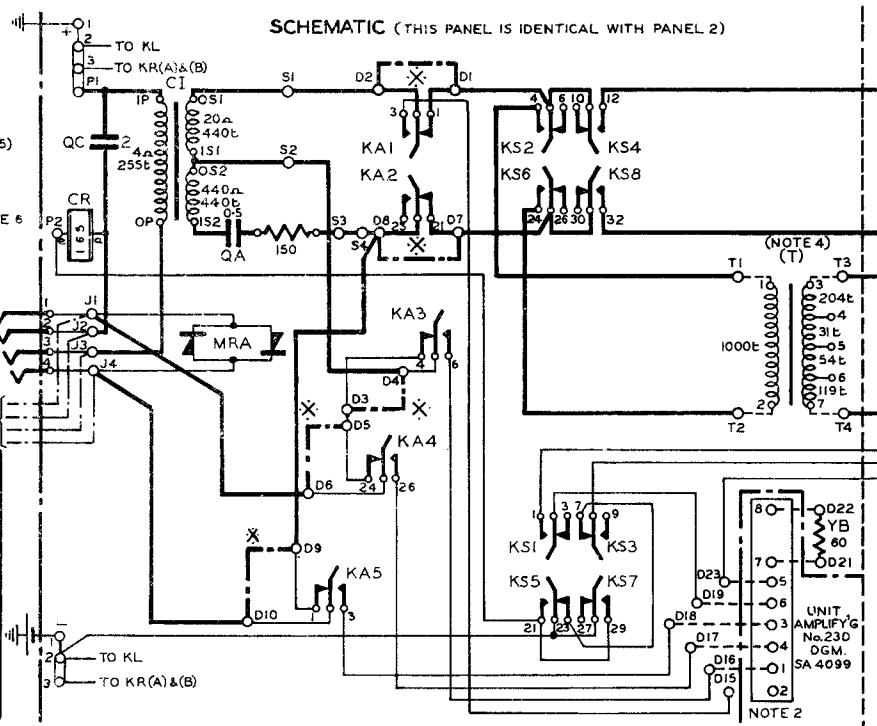
TO REMOTE
ANNOUNCING POINT
IF REQUIRED

STRIP CONNEXION SC1
TERMINALS

A	'A' LINES
B	'B' "
E	AUXILIARY TELEPHONE
J	JACK
P	OPERATORS PRIMARY
R	RINGING
T	TRANSFORMER
-	BATTERY
+	EARTH

STRIP CONNEXION SC2
TERMINALS

C	COUPLING
D	AMPLIFIER KEY & YB
G	STANDBY HAND GENR.
S	SWITCH, FOOT No.1.



CIRCULATION.

GENERAL

SWITCHBOARD MULTIPHONE N1627 (MARK 2)

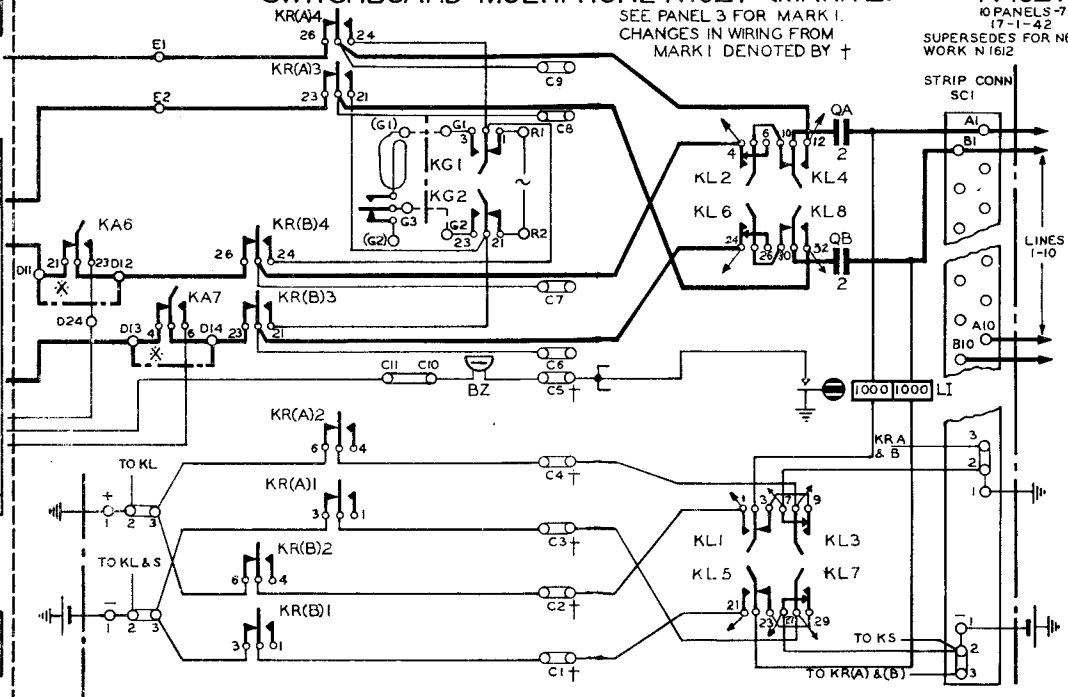
SEE PANEL 3 FOR MARK 1.
CHANGES IN WIRING FROM
MARK 1 DENOTED BY †

N 1627

10 PANELS-7
17-1-42
SUPERSEDES FOR NEW
WORK N1612

	C	B	A
KEY COMMONING AMENDED (PANELS 3 & 7)	22.11.42	23.8.44	18.7.42
FOR MARK 2 SEE PANELS 6 & 7.			
OLD PANELS 6, 7, 8, 9, 10.			
† B RESISTANCES DELETED. E & S			
TERMINALS INSERTED.			

AMENDMENT.



LINES
1-10

N

EXPLANATORY

FIG.1. MULTIPHONE OPERATOR THROUGH TO ONE OUTSTATION - SPEAK (A).

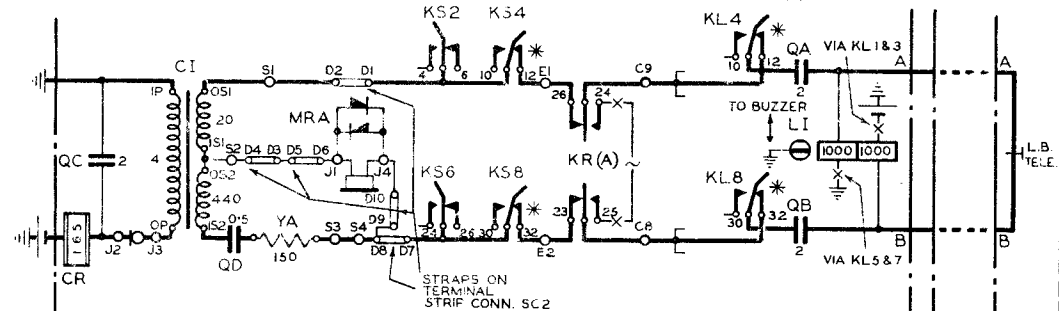
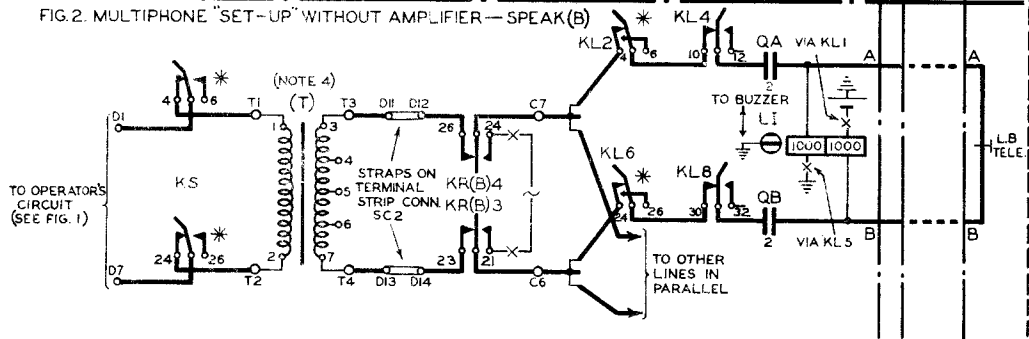


FIG.2. MULTIPHONE "SET-UP" WITHOUT AMPLIFIER - SPEAK (B)



NOTES

1. P.W's and/or P.B.X. extns. can be connected to the Switchboard. The outstation telephones should be of L.B. type.
2. For installation wiring, connexion to amplifier, and method of coupling one or more switchboards together see Diagrams N 1628 and N 1629.
3. Details of interception of lines normally terminating on a P.B.X. switchboard are given in E.I. Teles. P.B.X. A3906
4. Matching transformer (T) is shown joined up for 10 lines. For installation wiring for 10 or more lines - see Diagrams N 1628 and N 1629.
5. The Amplifier Key (KA) contacts are permanently wired in on each switchboard but inoperative unless straps across D terminals are removed from Strip Connexion SC2 at rear of Switchboard - see Diagram N 1629.
6. The normal operators' instrument for these boards is Transmitter No.23A, with Plug 404 and a Receiver, Headgear No.10A. If a handset only is required - fit Telephone No.184B, Black, with Cord Inst.4/54A, Brown, 48" and Plug 404.

N.B. Particulars of Diagrams and E.I.'s referring;

N 284 - Tele. 184B.

N 496 - L.B. Inst. (Telephone 396)

N 623 - B.P. Transmitter 23A & H.G. Receiver

N 1628- Multiphone installation without Amplifier

N 1297- L.B.Inst. (Telephone 1/196 or 156
and Bell Set 31)

N 1629- Multiphone installation with Amplifier

SA 4099 - Unit, Amplifying No.23D

E.I. Teles. Stns. E 1101, 1102

E.I. Teles. P.B.X. A 3906