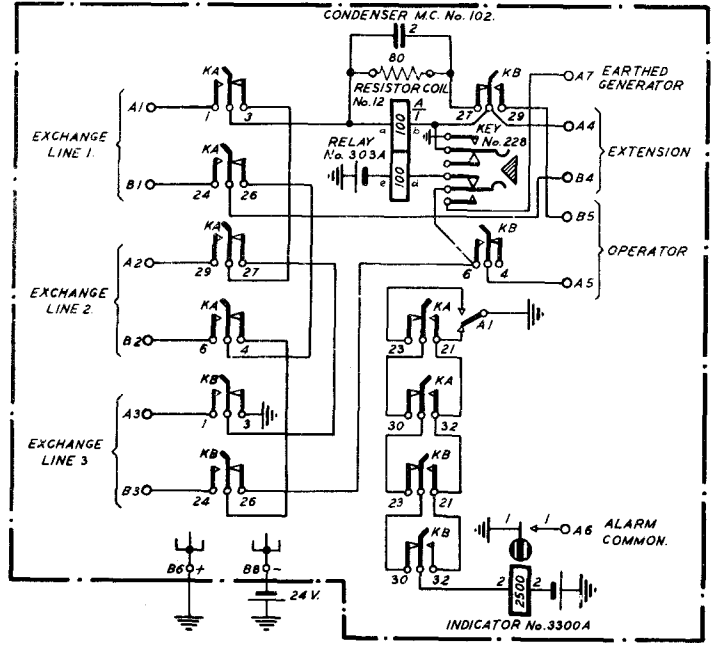




EXPLANATORY DIAGRAM.



APPARATUS MOUNTED IN CASE No. 22.

