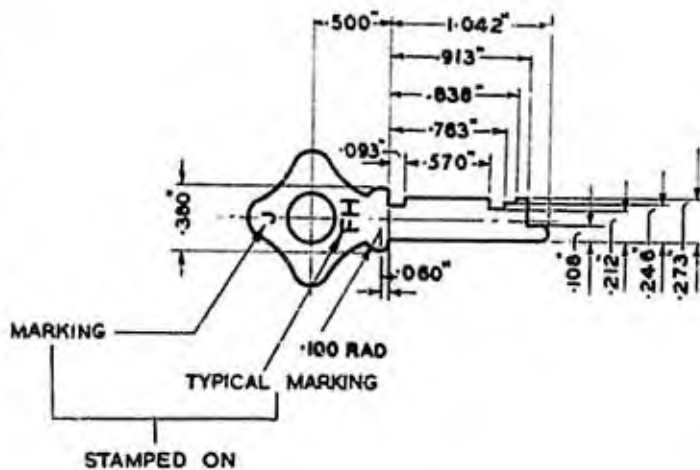


POST OFFICE ENGINEERING DEPT. E. IN-C'S OFFICE S BRANCH		DISTRIBUTION RESTRICTED	
P.O.		REFERENCES	
ASSEMBLY DRG.		SPEC. D 1000	
FILE S 2093		WIRING DGM.	
SCALE: - 1 AND AS INDICATED		SPEC. -	
DECIMAL DIMENSIONS NOT TOLERANCED		- ANGLE PROJECTION	
SUBJECT TO 1-003		DRN. <i>[Signature]</i>	
APP'D. IN S 1/3 SECTION		T.C. <i>[Signature]</i>	
<i>[Signature]</i>		CND. <i>[Signature]</i>	
DATE 8-8-50		SUPPLY	
AMENDMENT		A	
DIMENSIONS 1.042" & .570" WERE 1.060" & .603" RESPECTIVELY. CASE HARDENED ADDED TO FINISH.		B	
TYPICAL MARKING ADDED. "BOX CC PT" ADDED TO SUB-TITLE.		..	
FOR SUPERSEDED			
KEY, LOCK J.			
(FOR BOX CC PART			
LOCK 31 - BOX CC			
PARTS FRONT No. 1,283)			
DRG. CD 761			



MATERIAL:- M.S. 18 SW.G. (.048")

FINISH:- CASE HARDENED  
Ni. P. MATT.