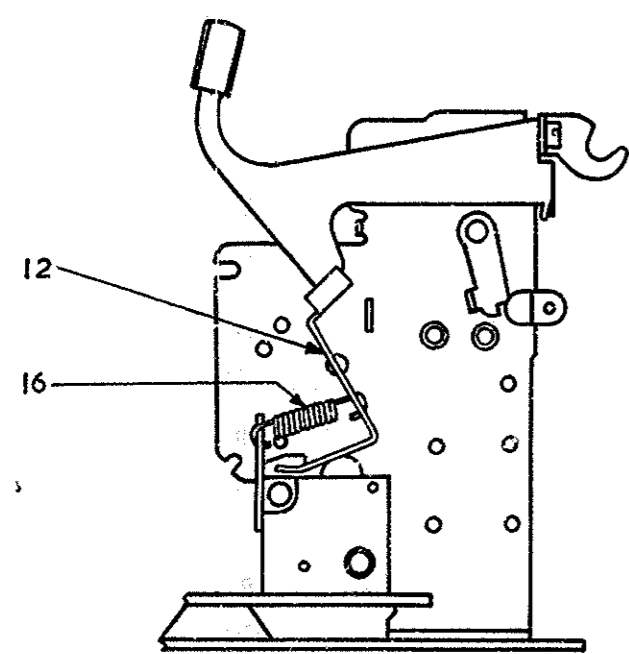
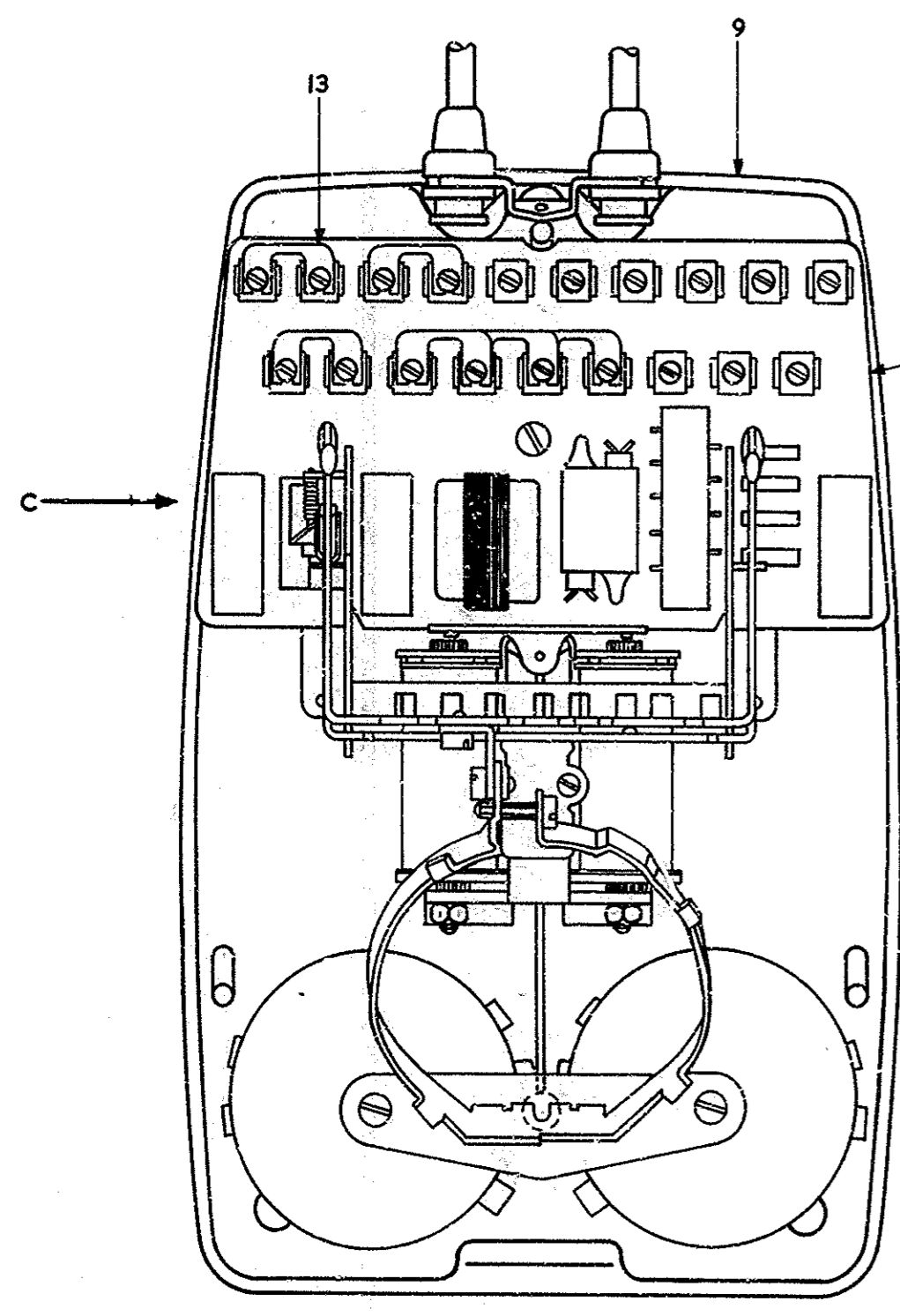
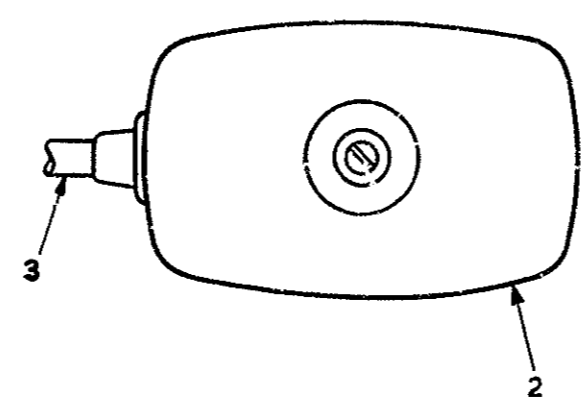


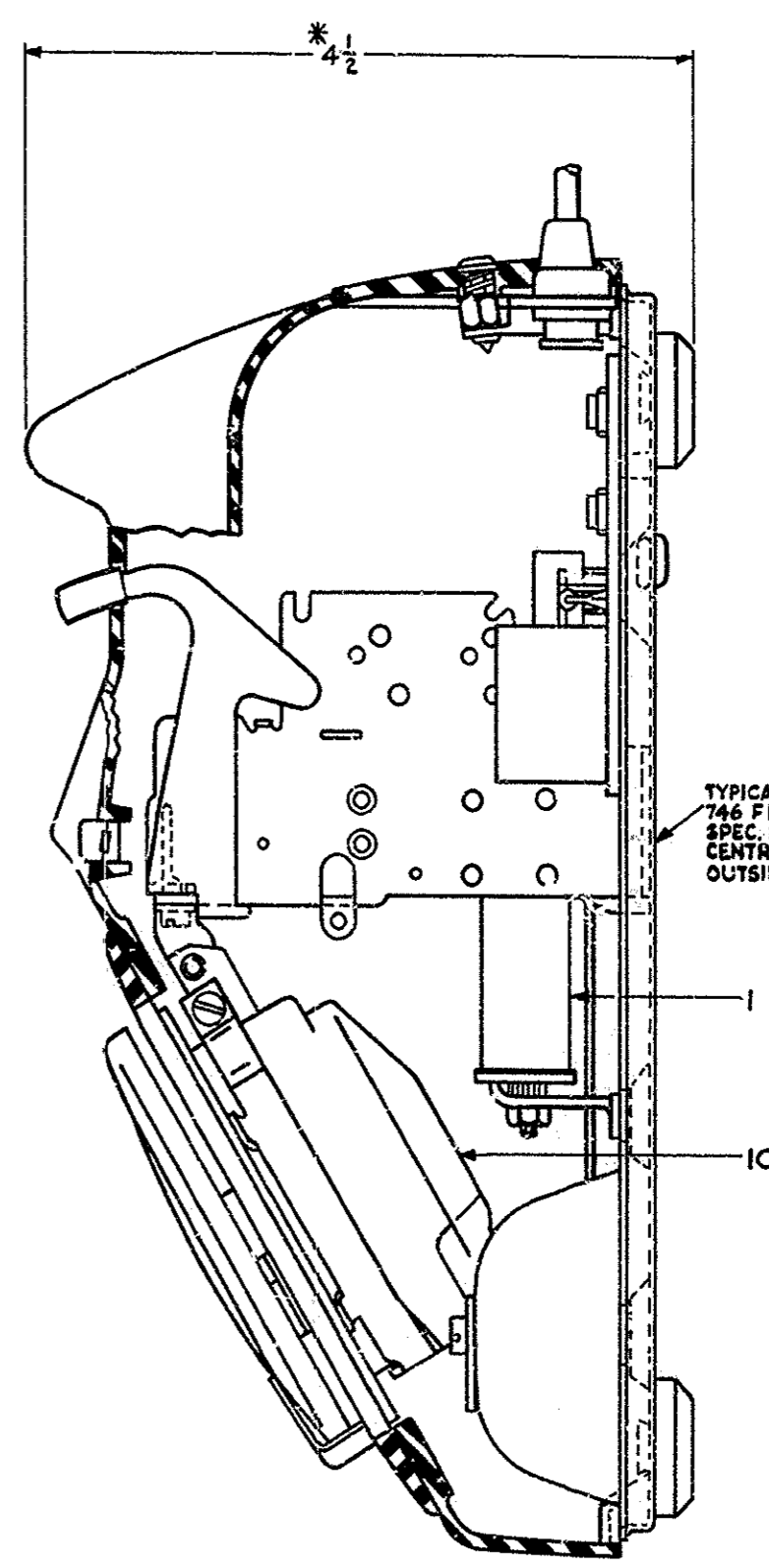
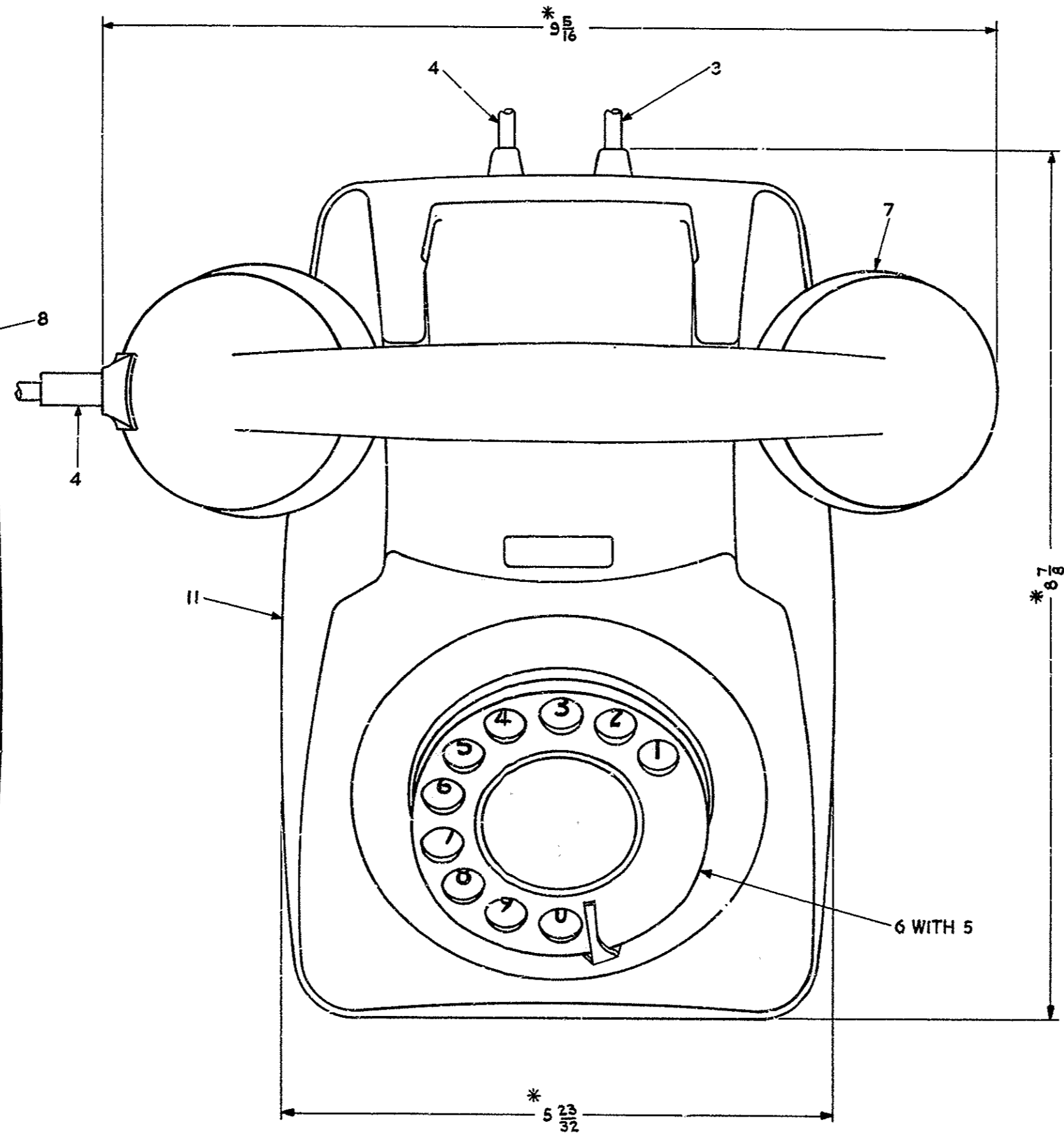
POST OFFICE ENGINEERING DEPT. 5 BRANCH	
DISTRIBUTION GENERAL	
REFERENCES	
SEE SCHED.	DBM. N846 SPEC. D1000
	" " S1009
ASSEMBLY DRG.	WIRING DGM. N846
FILE:	B.T.T.D.C. SPEC. S1009
SCALE:	1 AND AS INDICATED THIRD ANGLE PROJECTION
DECIMAL DIMENSIONS NOT TOLERANCED SUBJECT TO -	
App'd. IN S1 SECTION	DRN. AEI LTP TCD. CONTRS & CKD. <i>AB</i>
	DATE 27.12.67
AMENDMENT	SUFFIX



PART VIEW IN DIRECTION OF ARROW C



VIEW WITH ITEMS 5, 6, 7, 10 & 11 REMOVED



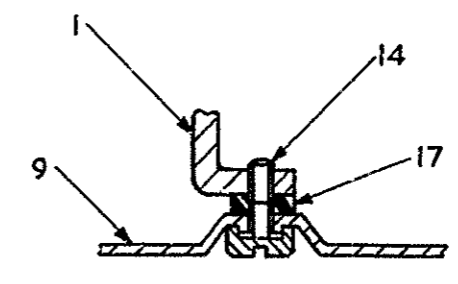
PART SECTION THROUGH ITEM 11 WITH ITEM 7 REMOVED

TYPICAL MARKING  
746 FHS 00/1 (SEE  
SPEC. D1000)  
CENTRALLY ON  
OUTSIDE

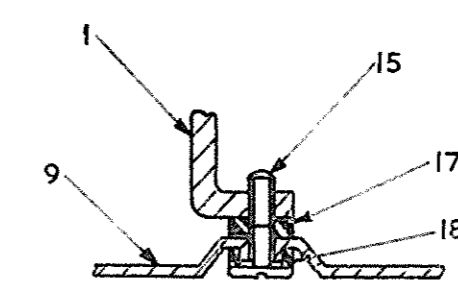
SCHEDULE									
ITEM	DESCRIPTION	DRG.	Nº OFF	Nº OFF ALTERNATIVE CONSTRUCTION	SCREWS ETC.	MTL.	FINISH	Nº OFF	Nº OFF ALTERNATIVE CONSTRUCTION
1	Ø BELL Nº 59 C-1 (UNMOUNTED)	92761	1	1					
2	Ø BLOCK, TERMINAL Nº 52 A (COLOUR)	92467	1	1					
3	Ø CORD, INSTRUMENT Nº 4/83 AA (COLOUR) 72"	91048	1	1					
4	Ø CORD, INSTRUMENT Nº 4/88 AK (COLOUR) 10"	91175	1	1					
5	Ø CORD, INSTRUMENT Nº 5/42L, 3"	92793	1	1					
6	Ø DIAL, AUTOMATIC Nº 21 FA (CLEAR)	92526	1	1					
7	Ø HANDSET Nº 3 (COLOUR)	91199	1	1					
8	Ø TELEPHONE - UNIT D92732	92732	1	1	SC. 4 BA * 3/16 CH. HD.	M.S.	*	1	1
9	Ø PART 1/D BA /195 (BASE, TELEPHONE)	DBA/195	1	1					
10	Ø PART 1/D CO /631 (COVER, DIAL, AUTO)	Dco/631	1	1					
11	Ø PART 1/D CO /718 (COLOUR) (COVER, TELEPHONE) COMPLETE	Dco/718	1	1					
12	Ø PART 1/D LE /72 (LEVER)	DLE/72	1	1					
13	Ø PART 2/D LI /20 (LINK)	DLI/20	6	6					
14	Ø PART 1/D SC /513 (SCREW, 4 BA SPECIAL)	DSC/513	2	-					
15	Ø PART 2/D SC /513 (SCREW, 4 BA SPECIAL)	DSC/513	-	2					
16	Ø PART 1/D SP /1578 (SPRING)	DSP/1578	1	1					
17	Ø PART 20/D WA /22 (WASHER, INSULATING)	DWA/22	2	2					
18	Ø PART 21/D WA /22 (WASHER, INSULATING)	DWA/22	-	2					

\* Z.N. P. & PASS. OR  
Z.N. P. & LAC.

Ø REPLACEABLE ITEM



VIEW A  
METHOD OF MOUNTING  
ITEM 1 TO ITEM 9



VIEW B  
ALTERNATIVE METHOD OF  
MOUNTING ITEM 1 TO ITEM 9

\* DIMENSIONS ARE FOR REFERENCE PURPOSES ONLY

DIMENSIONS IN INCHES

5  
TELEPHONE  
821A/AA ETC

FOR SUPERSED

TELEPHONE No. 746 (COLOUR)  
(MARK 1)

ASSEMBLY