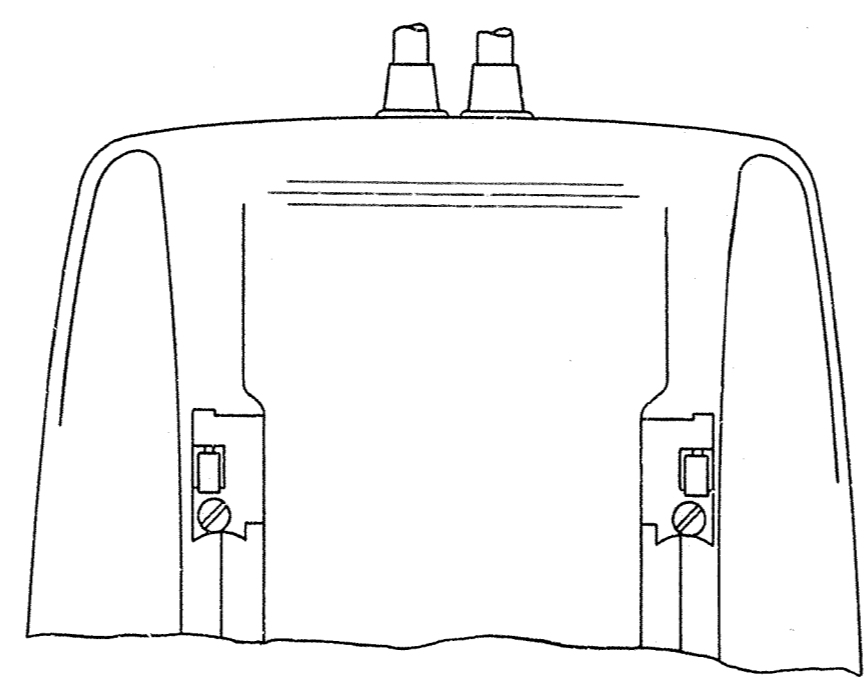
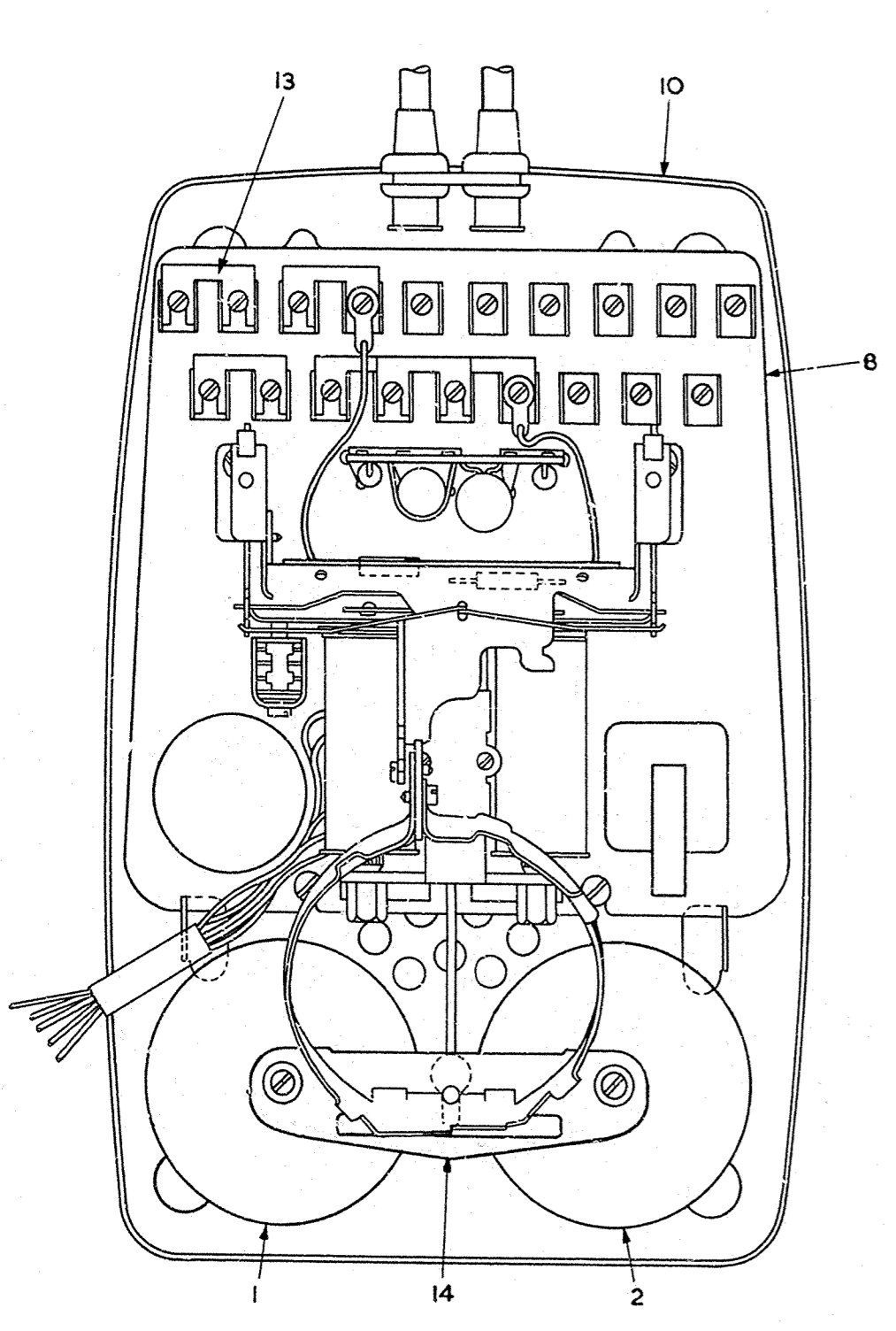


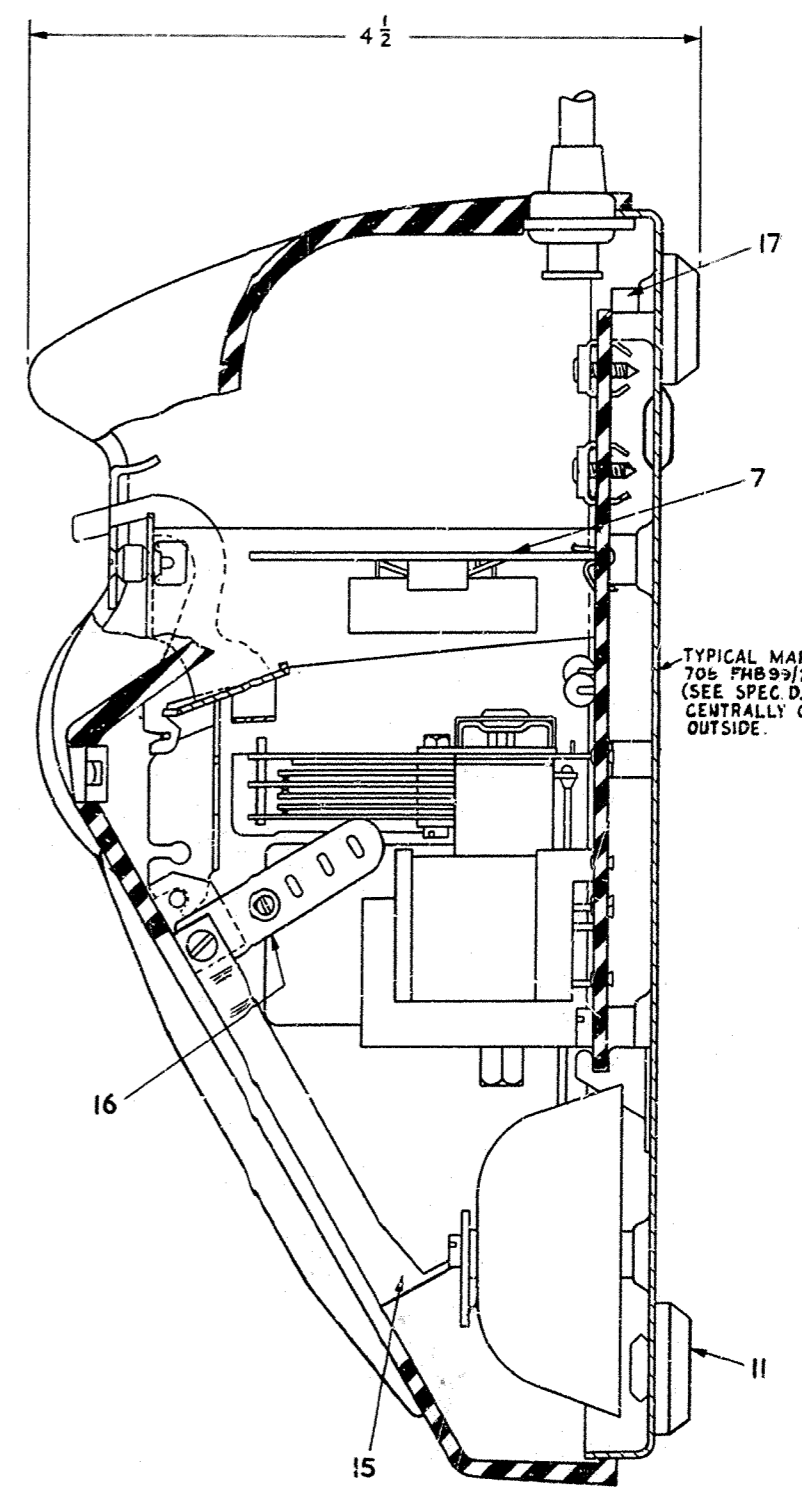
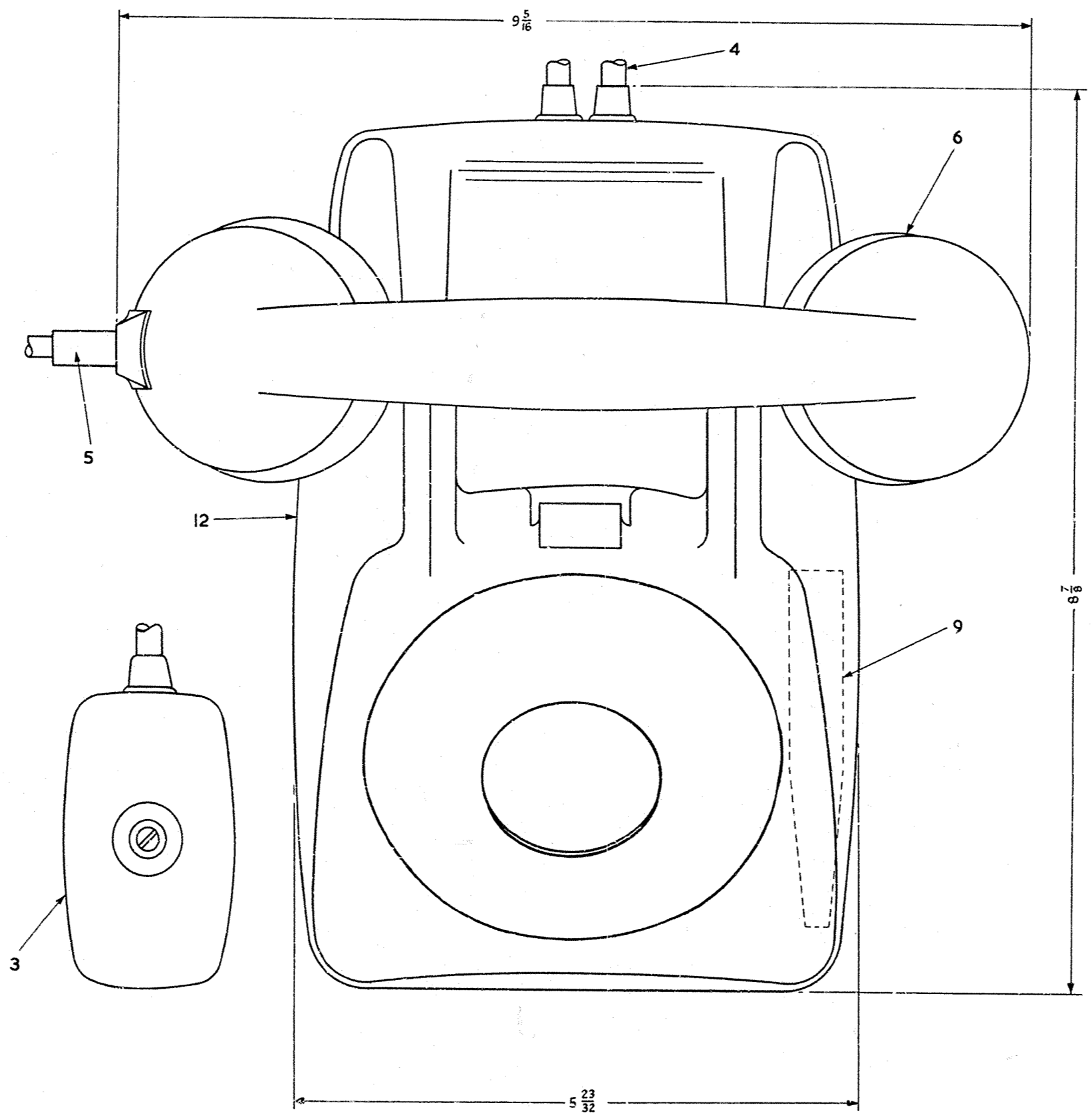
POST OFFICE ENGINEERING DEPT S BRANCH	
DISTRIBUTION GENERAL	
REFERENCES	
SEE SCHEDULE DENY 806	SPEC D1000 S 586
ASSEMBLY DRG —	WIRING DGM N 806
FILES 53500/706	BT.T.D.C. SPEC S. 586
SCALE — 1 AND AS INDICATED	THIRD ANGLE PROJECTION
DECIMAL DIMENSIONS NOT TOLERANCED SUBJECT TO	
APP'D IN SI SECTION <i>[Signature]</i>	DRN PHOTO-COPIED & ISSUED CKD <i>[Signature]</i> DATE 1.10.64
AMENDMENT	SUFFIX
TYPICAL MARKING - CB DELETED 19.11.65	A
SUPERSESSON NOTE ADDED 28.7.66	B



VIEW WITH ITEM 6 REMOVED



VIEW WITH ITEMS 6 & 12 REMOVED.



PART SECTION THROUGH ITEMS 8, 10 & 12  
ITEM 6 OMITTED.

TYPICAL MARKING  
706 FB99/2A  
(SEE SPEC. D1000)  
CENTRALLY ON  
OUTSIDE.

SCHEDULE							
ITEM	DESCRIPTION	DRG.	No. OFF	SCREWS, ETC.	MAT <sup>l</sup>	FINISH	No. OFF
1	Ø BELL - GONG N° 24 A	91846	1	SC. 4BA x 5/16 CH. HD.	M.S.	*	1
2	Ø BELL - GONG N° 24 B	91846	1	SC. 4BA x 5/16 CH. HD.	M.S.	*	1
3	Ø BLOCK TERMINAL N° 30 (COLOUR)	91148	1				
4	Ø CORD, INSTRUMENT N° 3/108 AA (COLOUR) 54"	91046	1				
5	Ø CORD, INSTRUMENT N° 4/88 AK (COLOUR) 10"	91175	1				
6	Ø HANDSET N° 3 (COLOUR)	91199/2	1				
7	Ø REGULATOR N° 1	91270	1				
8	Ø TELEPHONE N° 706 (COLOUR) WIRING BOARD SUB-ASSY. C & COMPONENT SHED.	91273/2	1	SC. 4BA x 5/16 CONN. HD.	BR.	NI. P.	2
9	LABEL, DIAGRAM N 806 FOR ALTERNATIVE SEE SPEC. S586	DGM N806 PANEL 2	1				
10	Ø PART 2/DBA/95 (BASE, TELEPHONE)	DBA/95	1				
11	Ø PART 2/DBU/259 (BUTTON)	DBU/259	4				
12	Ø PART 3/DCO/611 (COLOUR) (COVER, TELEPHONE, CB. COMPLETE)	DCO/611	1				
13	Ø PART 1/DLT/20 (LINK)	DLT/20	G				
14	Ø PART 2/DPL/778 (PLATE, METAL)	DPL/778	1				
15	Ø PART 2/DRI/51 (RING, CLAMPING DIAL)	DRI/51	1	SC. 4BA x 5/16 CH. HD. SC. 4BA x 3/16 CH. HD.	BR BR	NI. P. MT NI. P. MT	1 1
16	Ø PART 1/DST/558 (STRIP, WIRING, TERMINATION)	DST/558	1				
17	Ø PART 2/DSU/12 (SUPPORT, WIRING BOARD)	DSU/12	1				

Ø REPLACEABLE ITEM

\* ZN P & PASS. OR  
ZN P & LAC.

COLOURS: BLACK, BLUE, GREEN, GREY, IVORY, RED, YELLOW.

FOR ALTERNATIVE DESIGN  
SEE MARK 1, SHEET 1

DIMENSIONS IN INCHES

FOR SUPERSEDING ITEM FOR NEW WORK  
SEE DRG. 91272/5 SHEET 2

TELEPHONE No. 706 CB (COLOUR)  
(MARK 2A)  
ASSEMBLY