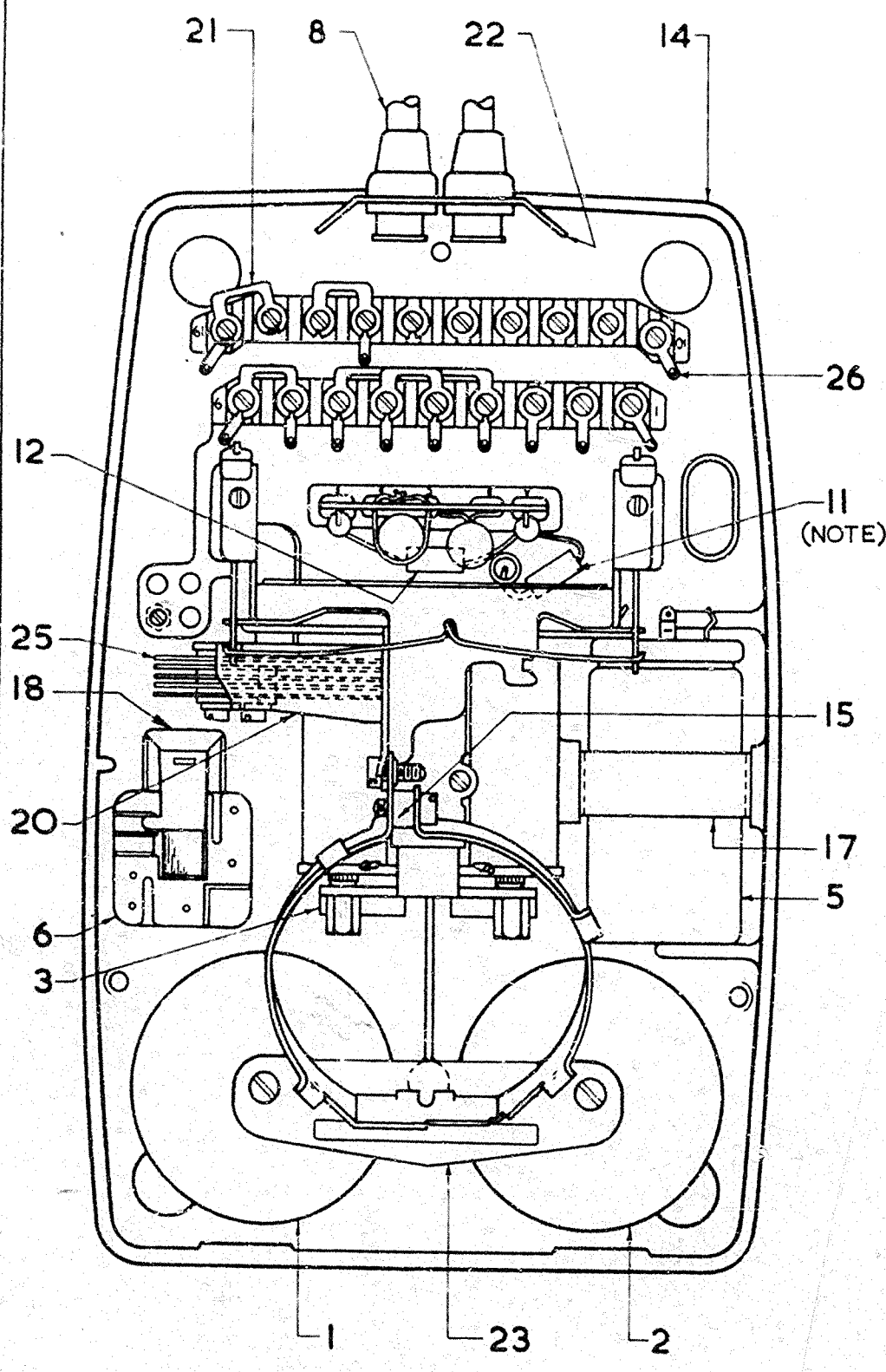
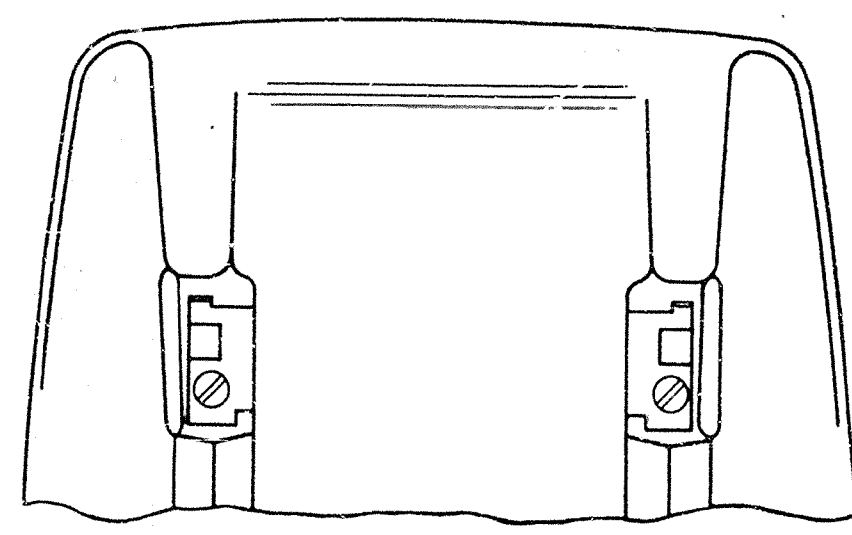
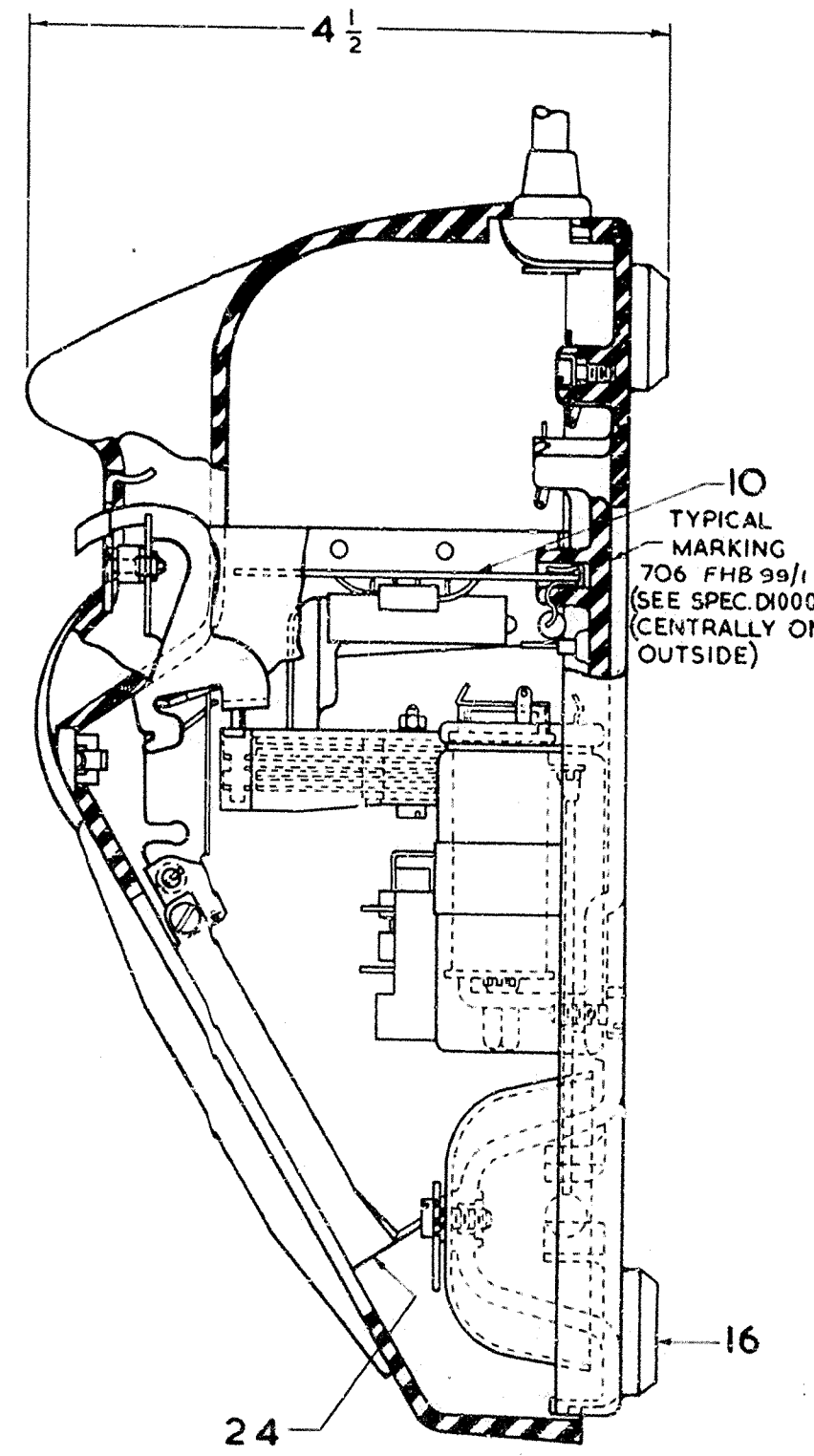
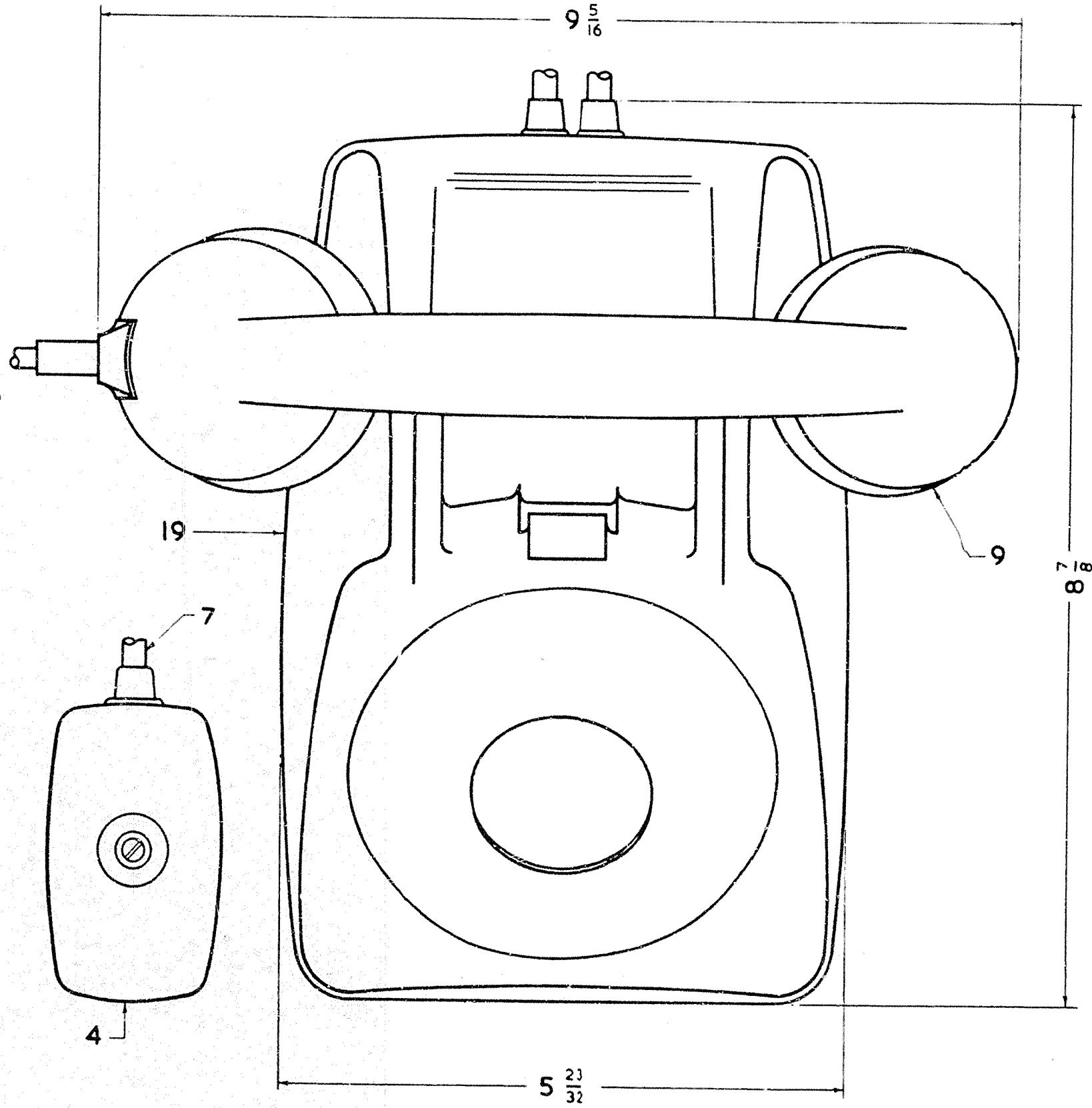


POST OFFICE ENGINEERING DEPT
5 BRANCH
DISTRIBUTION
GENERAL
REFERENCES
SEE SCHED DGM N806 SPEC D1000
5586
ASSEMBLY DRG # RING DGM
N806
FILE 53500/706 BTTC SPEC 5586
SCALE 1 AND AS THIRD ANGLE
INDICATED PROJECTION
DECIMAL DIMENSIONS NOT TOLERANCED
SUBJECT TO
APP'D IN S1/1 SECTION DRN PHOTO-
COPIED
TCD.
CKD. *Harvey*
DATE 28.7.66



VIEW WITH ITEMS 9 & 19 REMOVED



PART SECTION
THROUGH ITEMS 14 & 19
ITEM 9 OMITTED

SCHEDULE							
ITEM	DESCRIPTION	DRG.	No. OFF	SCREWS, ETC.	MTL.	FINISH	No. OFF
1	Ø BELL GONG No 24A	91846	1	SC. 4 BA x 3/8 CH. HD.	M.S.	ZNP & PASSIVATE OR ZNP & LAC.	1
2	Ø BELL GONG No 24B	91846	1	SC. 4 BA x 3/8 CH. HD.	M.S.	ZNP & PASSIVATE OR ZNP & LAC.	1
3	Ø BELL No 59A-1 UNMOUNTED	9874	1	SC. 4 BA x 1/4 CH. HD.	M.S.	ZNP & PASSIVATE OR ZNP & LAC.	2
4	Ø BLOCK, TERMINAL No 52A (COLOUR)	92467	1				
5	Ø CAPACITOR, PAPER No 7719	CD1421	1				
6	Ø COIL, INDUCTION No 31	9127 1/2	1				
7	Ø CORD, INSTRUMENT No. 4708AA (COLOUR) 7 1/2"	51048	1				
8	Ø CORD, INSTRUMENT No 4788AK (COLOUR) 10"	91175	1				
9	Ø HANDSET No 3 (COLOUR)	9119 9/2	1				
10	Ø REGULATOR No 1	91270	1				
11	Ø RESISTOR, CARBON No 26 GC OR No. 26KC 39A	SPEN 02044	1				
12	Ø RESISTOR, CARBON No 26 GC OR No. 26KC 150n	SPEN 02044	1				
14	Ø PART 3/DBA/93 (BASE, TELE. COMPLETE)	DBA/93	1	SC. 6 BA x 3/8 CH. HD. WASHER 1/8 BA SMALL SC. 6 BA x 1/4 CH. HD.	BR.	NIP MT.	19
15	Ø PART 5/DBU/67 (BUSH, METAL)	DBU/67	1				
16	Ø PART 2/DBU/259 (BUTTON)	DBU/259	4				
17	Ø PART 1/DCL/135 (CLIP, CAPACITOR)	DCL/135	1				
18	Ø PART 3/DCL/136 (CLIP, COIL, INDUCT ON)	DCL/136	1				
19	Ø PART 3/DCO/611 (COLOUR) (COVER TELE. B)	DCO/611	1				
20	Ø PART 1/DCO/613 (COVER, SPRING SET)	DCO/613	1				
21	Ø PART 1/DLI/19 (LINK)	DLI/19	6				
22	Ø PART 1/DPL/733 (PLATE CLAMPING SLEEVE, CORD)	DPL/733	1				
23	Ø PART 2/DPL/778 (PLATE METAL)	DPL/778	1				
24	Ø PART 3/DRI/51 (RING, CLAMPING, DIAL)	DRI/51	1	SC. 4 BA x 1/2 CH. HD. SC. 4 BA x 3/8 CH. HD.	M.S.	ZNP & PASSIVATE OR ZNP & LAC.	1
25	Ø PART 1/OSP/1234 (SPRING SET ASSEMBLY)	OSP/1234	1	SC. 6 BA x 1/8 CH. HD.	M.S.	ZNP & PASSIVATE OR ZNP & LAC.	2
26	Ø PART 0/STA/71 (TAG)	STA/71	12				

Ø REPLACEABLE ITEM

NOTE. ITEM 11 WITH PREFORMED CONNECTION LEADS MAY BE CONNECTED DIRECTLY TO THE CAPACITOR TAG AND THE FIXING POST OMITTED SUBJECT TO THE PRIOR APPROVAL OF THE ENGINEERING DEPT. (S BRANCH).

COLOURS - BLACK, BLUE, GREEN, GREY, IVORY RED & YELLOW

FOR ALTERNATIVE DESIGN SEE MARK 2A SHEET 2

DO NOT SCALE (A MICROFILM PROCESS PRINT)

FOR SUPERSLO

TELEPHONE
No. 706CB (COLOUR)
(MARK 1)
ASSEMBLY