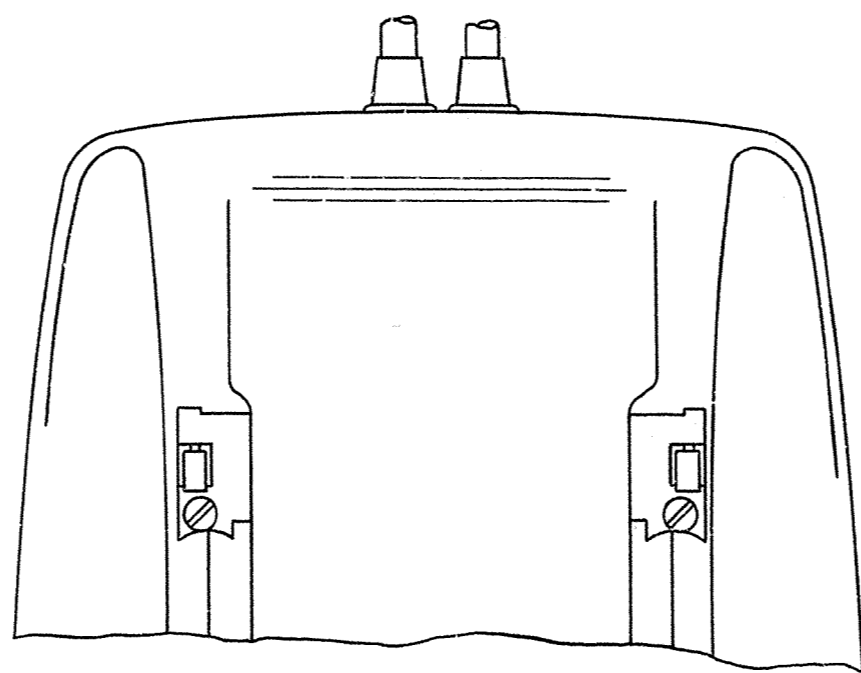
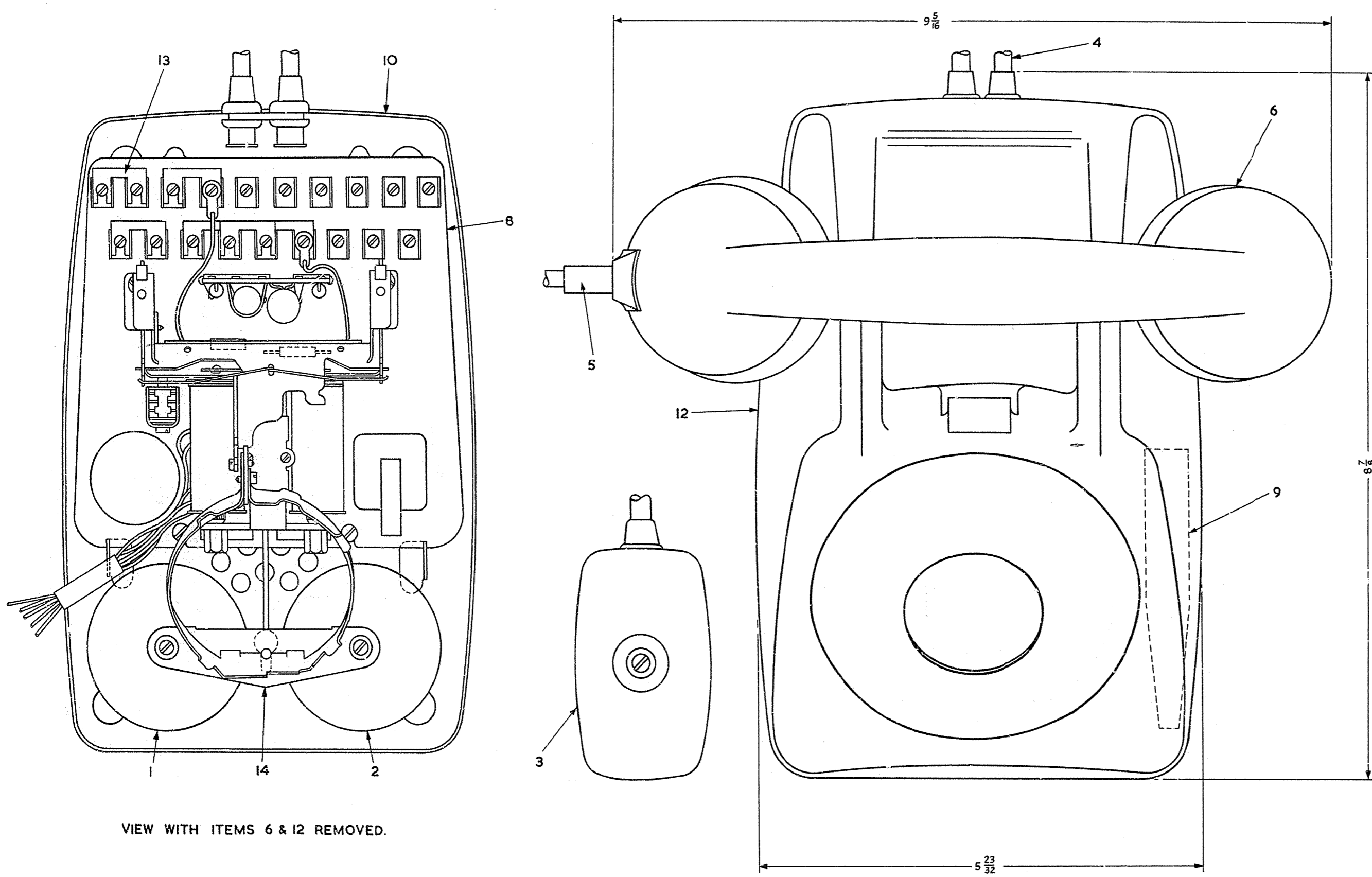


POST OFFICE ENGINEERING DEPT. S BRANCH	
DISTRIBUTION GENERAL	
REFERENCES	
SEE SCHEDULE	SPEC. 01000
DGM N 806	" 5586
ASSEMBLY DRG	WIRING DGM N. 806
FILE S3500/706	B.T.D.C. SPEC. S. 586
SCALE - 1 AND AS INDICATED	THIRD ANGLE PROJECTION
DECIMAL DIMENSIONS NOT TOLERANCED SUBJECT TO	
App'd in 51 SECTION <i>[Signature]</i>	DRN } A.E.I. T.C.D. } CKD CONTRA } DATE 29.11.63
AMENDMENT	SUFFIX
SUPERSESSION NOTE ADDED. N.W. & <i>[Signature]</i>	1.10.64 A



VIEW WITH ITEM 6 REMOVED



VIEW WITH ITEMS 6 & 12 REMOVED.

PART SECTION THROUGH ITEMS 8, 10 & 12
ITEM 6 OMITTED.

SCHEDULE							
ITEM	DESCRIPTION	DRG.	No. OFF	SCREWS, ETC.	MAT ^L	FINISH	No. OFF
1	BELL - GONG N° 24 A	91846	1	SC 1/4 BA x 5/16 CH. HD.	M.S.	*	1
2	BELL - GONG N° 24 B	91846	1	SC 1/4 BA x 5/16 CH. HD.	M.S.	*	1
3	BLOCK TERMINAL N° 30 (COLOUR)	91148	1				
4	CORD, INSTRUMENT N° 3/108 AA (COLOUR) 54"	91046	1				
5	CORD, INSTRUMENT No. 4/ 88 AK (COLOUR) 10"	91175	1				
6	HANDSET N° 3 (COLOUR)	91199/2	1				
7	REGULATOR N° 1	91270	1				
8	TELEPHONE N° 706 .. (COLOUR) WIRING BOARD SUB-ASSY. C & COMPONENT SHED.	91273/2	1	SC. 4 BA x 5/16 CONN. HD.	BR.	NI. P.	2
9	LABEL, DIAGRAM N806 FOR ALTERNATIVE SEE SPEC. S586	DGM N806 PANEL 2	1				
10	PART 2/ DBA/95 (BASE, TELEPHONE)	DBA/95	1				
11	PART 2/ DBU/259 (BUTTON)	DBU/259	4				
12	PART 3/ DCO/611 (COLOUR) (COVER, TELEPHONE, CB. COMPLETE)	DCO/611	1				
13	PART 1/ DLI/20 (LINK)	DLI/20	6				
14	PART 1/ DPL/778 (PLATE, METAL)	DPL/778	1				
15	PART 1 OR 2/ DRI/51 (RING, CLAMPING DIAL)	DRI/51	1	SC. 4 BA x 5/16 CH. HD. SC. 4 BA x 3/16 CH. HD.	BR. BR.	NI. P. MT. NI. P. MT.	1 1
16	PART 1/ DST/558 (STRIP, WIRING, TERMINATION)	DST/558	1				
17	PART 2/ DSU/12 (SUPPORT, WIRING BOARD)	DSU/12	1				

∅ REPLACEABLE ITEM

* ZN P & PASS. OR
ZN P & LAC.

COLOURS: BLACK, BLUE, GREEN, GREY, IVORY, RED, YELLOW.

FOR ALTERNATIVE DESIGN
SEE MARK 1, SHEET 1.

DIMENSIONS IN INCHES

5
TELEPHONE
800

FOR SUPERSEDING ITEM FOR NEW
WORK SEE DRG. 91272/4 SHEET 2

TELEPHONE No.706 CB (COLOUR)
(MARK 2A)
ASSEMBLY