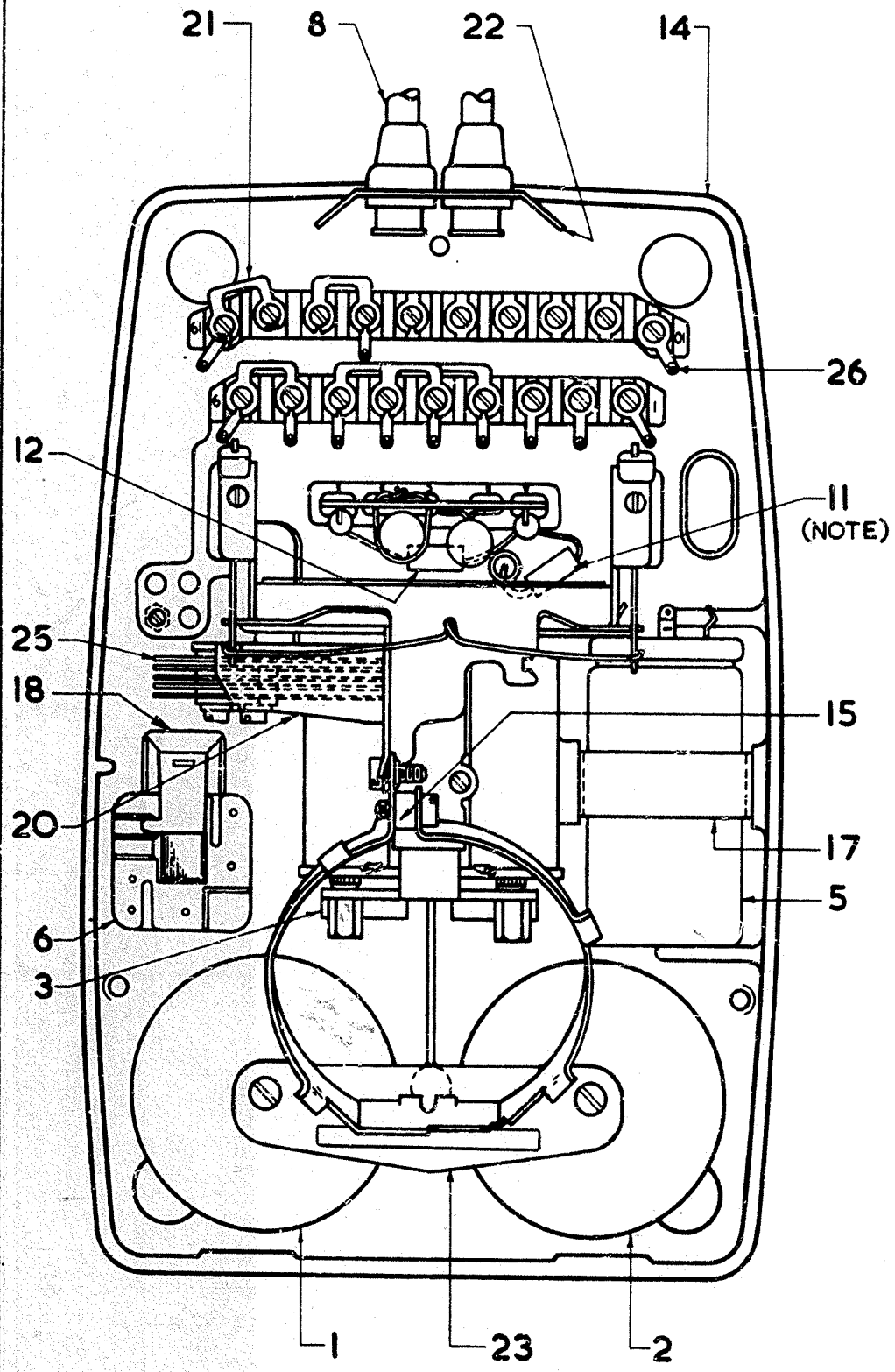
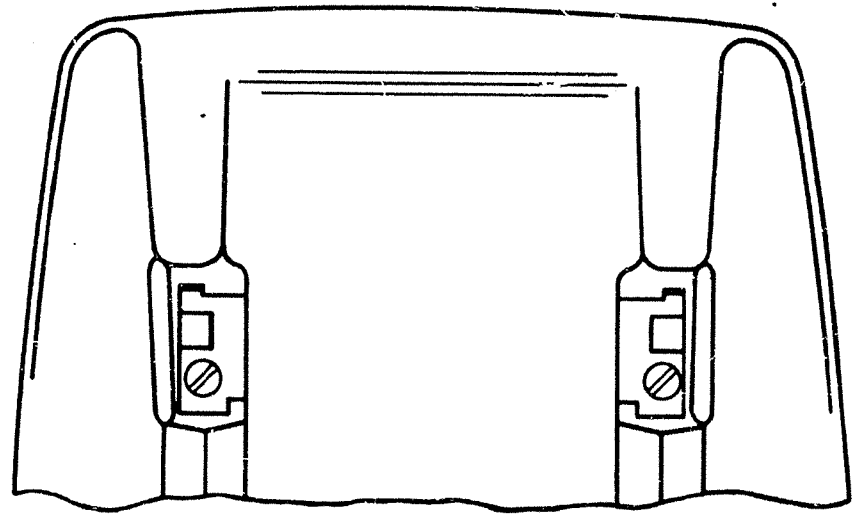
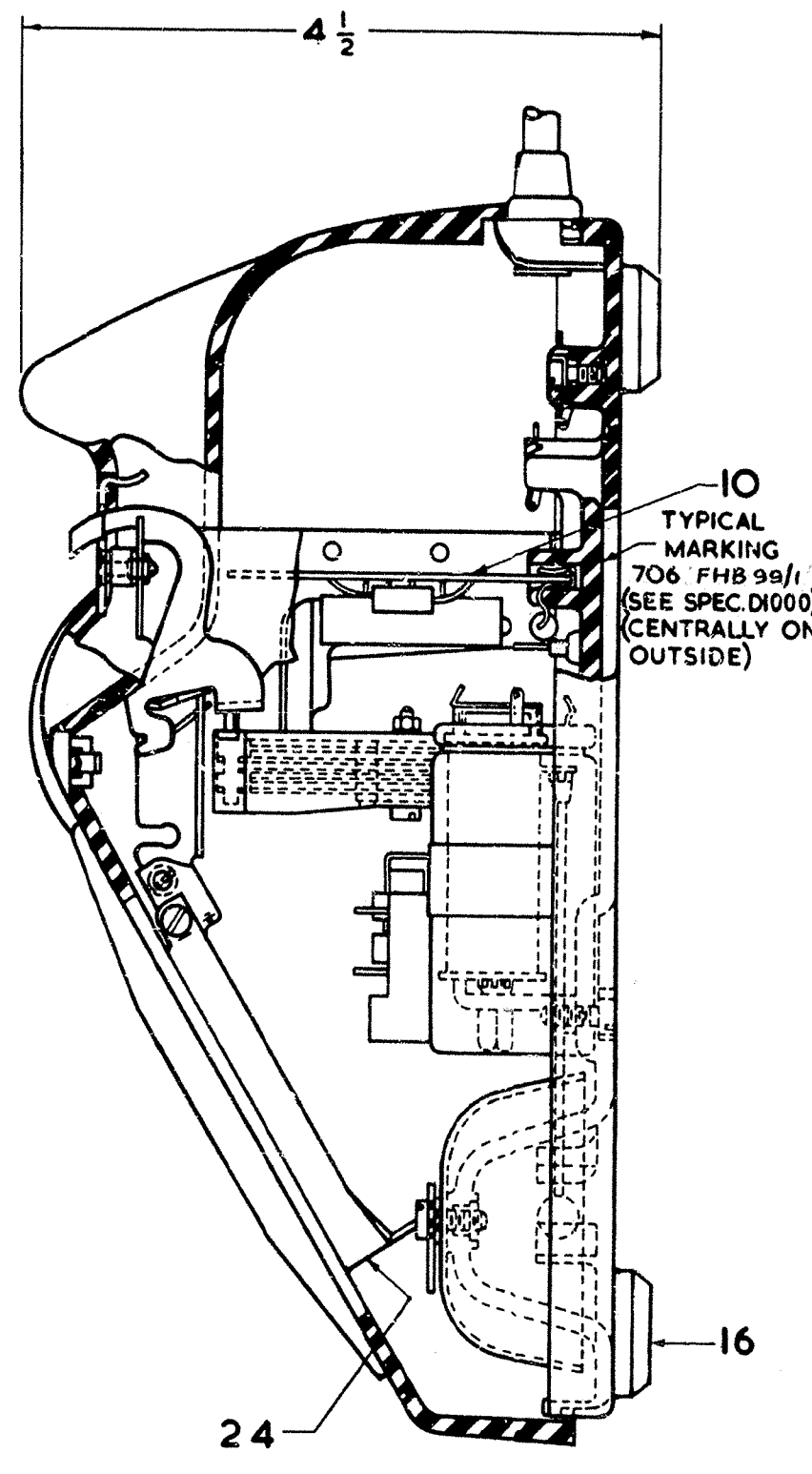
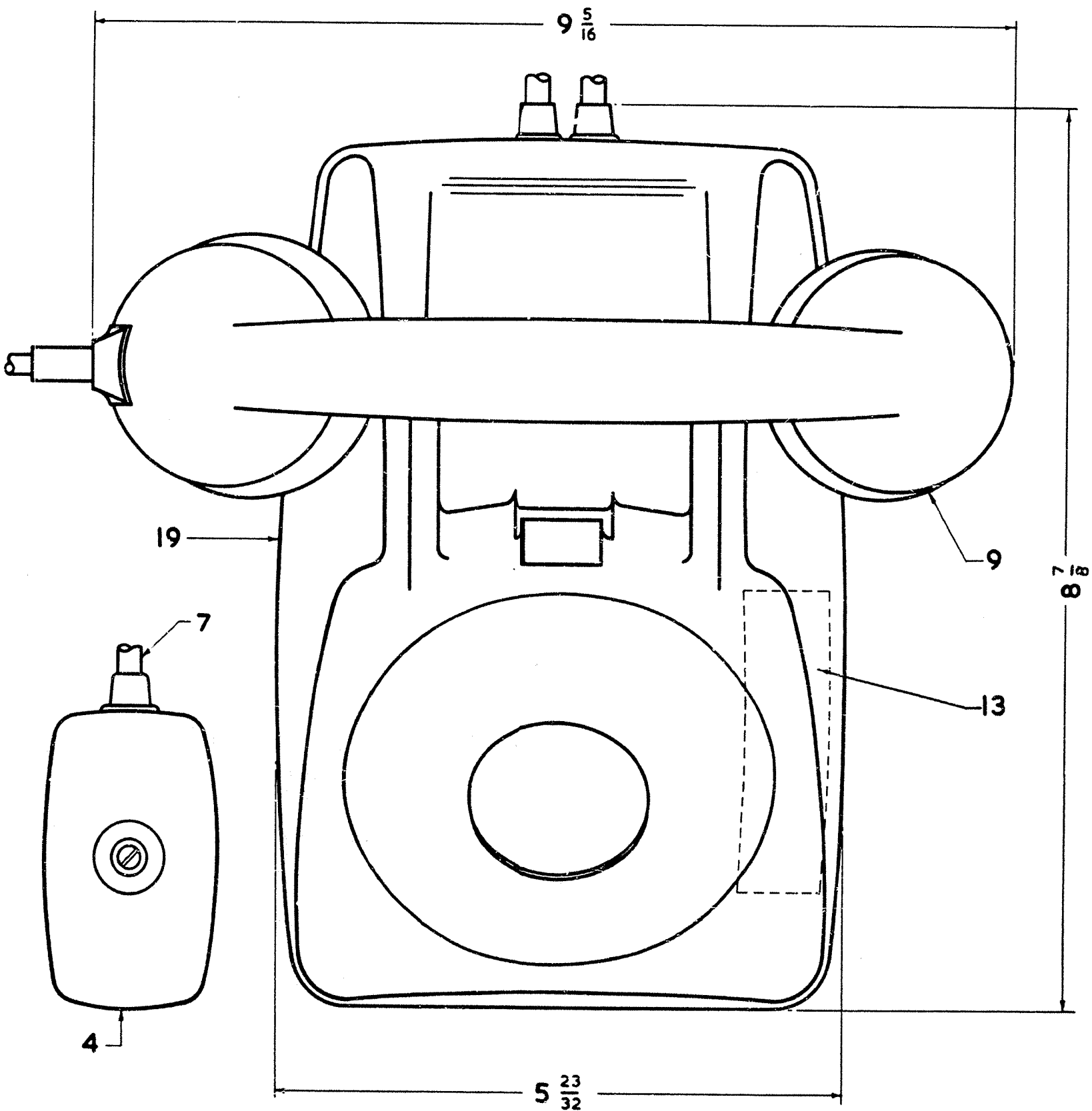


POST OFFICE ENGINEERING DEPT
S BRANCH
DISTRIBUTION GENERAL
REFERENCES
SEESCHED. DGM N806 SPEC D1000
5586
ASSEMBLY DRG WIRING DGM N806
FILE 5300/704 B T T DC SPEC 5586
SCALE - 1 AND AS T INDICATED THIRD ANGLE PROJECTION
DECIMAL DIMENSIONS NOT TOLERANCED SUBJECT TO
APP'D IN S/I SECTION DRN PHOTO-COPIED
TCD. CKD. DATE 19.11.64
AMENDMENT SUFFIX
ITEMS II & 12 - ALTN. No. 26 KC ADDED, IN BOTH CASES, NOTE REF. ITEM II ADDED. 20.10.65 A
TYPICAL MARKING - CB DELETED 19.11.65 B
SUPERSESSION NOTE ADDED. 28.7.66 C



VIEW WITH ITEMS 9 & 19 REMOVED



PART SECTION THROUGH ITEMS 14 & 19
ITEM 9 OMITTED

10
TYPICAL MARKING
706 FHB 99/1
(SEE SPEC. D1000)
(CENTRALLY ON OUTSIDE)

SCHEDULE							
ITEM	DESCRIPTION	DRG.	No. OFF	SCREWS, ETC.	MTL.	FINISH	No. OFF
1	Ø BELL - GONG No 24A	91846	1	SC. 4 BA. x 3/8" CH. HD.	M.S.	Zn.P. & PASSIVATE OR Zn.P. & LAC.	1
2	Ø BELL - GONG No 24B	91846	1	SC. 4 BA. x 3/8" CH. HD.	M.S.	Zn.P. & PASSIVATE OR Zn.P. & LAC.	1
3	Ø BELL No 59A-1 UNMOUNTED	9874	1	SC. 4 BA. x 1/2" CH. HD.	M.S.	Zn.P. & PASSIVATE OR Zn.P. & LAC.	2
4	Ø BLOCK, TERMINAL No 30 (COLOUR)	91148	1				
5	Ø CAPACITOR, PAPER No 7719	CD1421	1				
6	Ø COIL, INDUCTION No 31	91271/2	1				
7	Ø CORD, INSTRUMENT No 3/108AA (COLOUR) 54"	91046	1				
8	Ø CORD, INSTRUMENT No 4/88AK (COLOUR) 10"	91175	1				
9	Ø HANDSET No 3 (COLOUR)	91199/4	1				
10	Ø REGULATOR No 1	91270	1				
11	Ø RESISTOR, CARBON No 26 GC OR No. 26KC 39Ω	SPEC. 02044	1				
12	Ø RESISTOR, CARBON No 26 GC OR No. 26KC 150Ω	SPEC. 02044	1				
13	LABEL DIAGRAM W806 FOR ALTERNATIVE SEE SPEC. 0500	DGM 4004	1				
14	Ø PART 3/DBA/93 (BASE, TELE. COMPLETE)	DBA/93	1	SC. 6 BA. x 1/2" CH. HD. WASHER 1/2" P.A. SMALL SC. 6 BA. x 1/2" CH. HD.	BR. BR.	NL.P. MT. NL.P. MT.	1 19
15	Ø PART 5/DBU/67 (BUSH, METAL)	DBU/67	1				
16	Ø PART 2/DBU/259 (BUTTON)	DBU/259	4				
17	Ø PART 1/DCL/135 (CLIP, CAPACITOR)	DCL/135	1				
18	Ø PART 3/DCL/136 (CLIP, COIL, INDUCTION)	DCL/136	1				
19	Ø PART 3/DCO/611 (COLOUR) (COVER, TELE. CB COMPLETE)	DCO/611	1				
20	Ø PART 1/DCO/613 (COVER, SPRING, SET)	DCO/613	1				
21	Ø PART 1/DLI/19 (LINK)	DLI/19	6				
22	Ø PART 1/DPL/733 (PLATE, CLAMPING, SLEEVE, CORD)	DPL/733	1				
23	Ø PART 2/DPL/778 (PLATE, METAL)	DPL/778	1				
24	Ø PART 3/DR1/51 (RING, CLAMPING, DIAL)	DR1/51	1	SC. 4 BA. x 1/2" CH. HD. SC. 4 BA. x 1/2" CH. HD.	M.S. M.S.	Zn.P. & PASSIVATE OR Zn.P. & LAC. Zn.P. & PASSIVATE OR Zn.P. & LAC.	1 1
25	Ø PART 1/OSP/1234 (SPRING, SET ASSEMBLY)	OSP/1234	1	SC. 6 BA. x 1/2" CH. HD.	M.S.	Zn.P. & PASSIVATE OR Zn.P. & LAC.	2
26	Ø PART 1/STA/71 (TAG)	STA/71	12				

Ø REPLACEABLE ITEM

NOTE. ITEM II WITH PREFORMED CONNECTION LEADS MAY BE CONNECTED DIRECTLY TO THE CAPACITOR TAG AND THE FIXING POST OMITTED SUBJECT TO THE PRIOR APPROVAL OF THE ENGINEERING DEPT. (S BRANCH).

COLOURS: BLACK, BLUE, GREEN, GREY, IVORY, RED & YELLOW

FOR ALTERNATIVE DESIGN SEE MARK 2A SHEET 2

DO NOT SCALE
(A MICROFILM PROCESS PRINT)

FOR SUPERSEDING ITEM FOR NEW WORK SEE DRG. 91272/4 SHEET 1-2

TELEPHONE
No. 706CB (COLOUR)
(MARK I)
ASSEMBLY