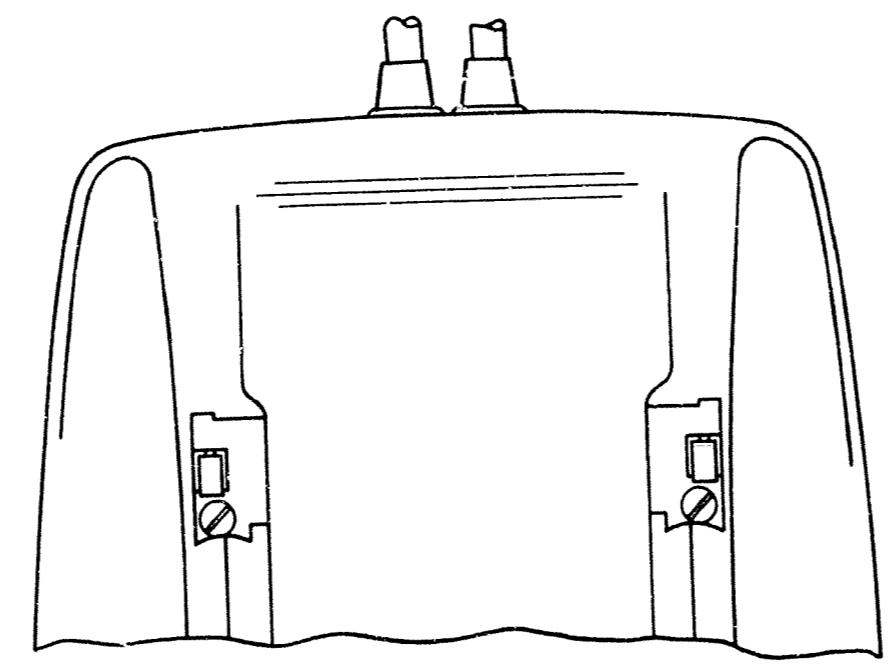
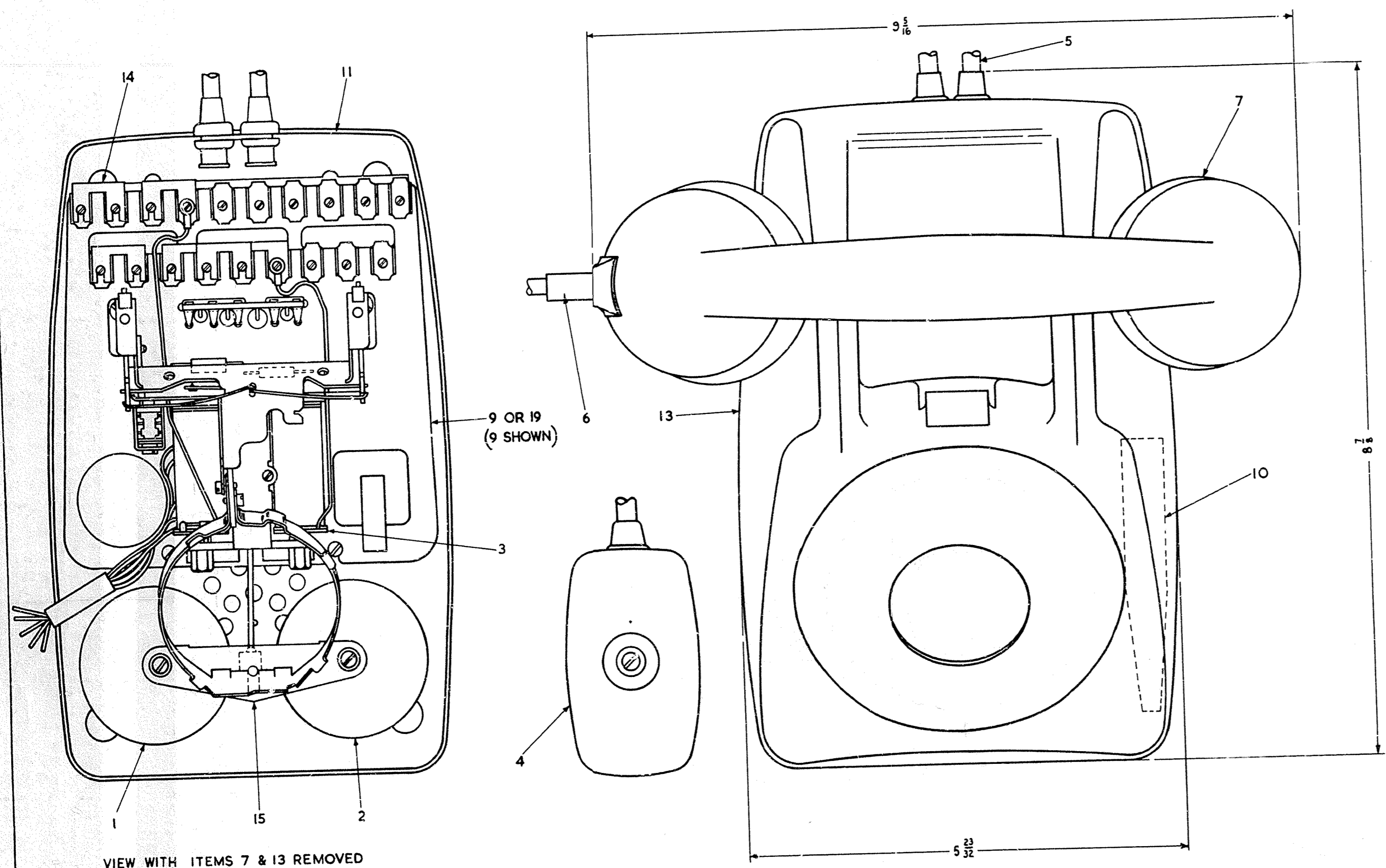


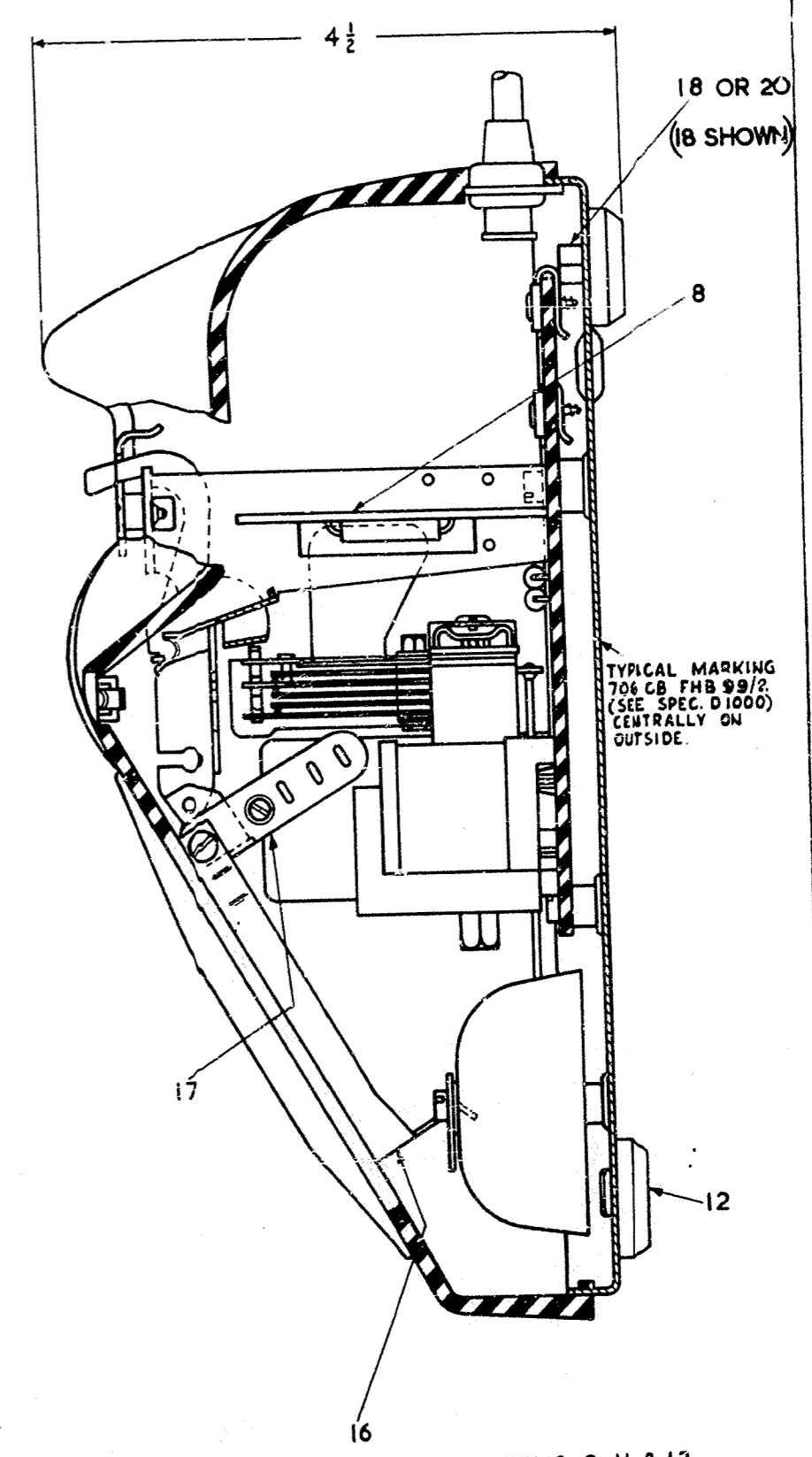
POST OFFICE ENGINEERING DEPT 5 BRANCH		
DISTRIBUTION GENERAL		
REFERENCES		
SEE SCHED.	DGMN806	SPEC D1000 5586
ASSEMBLY DRG	WIRING DGM N806	
FILE S3300/706	B.T.D.C.	SP.C 5586
SCALE 1/1	AND AS INDICATED	THIRD ANGLE PROJECTION
DECIMAL DIMENSIONS NOT TOLERANCED SUBJECT TO		
APP'D IN S111 SECTION	DRN. PHOTO COPIED	TCD. <i>SA</i>
		CKD.
		29.11.63



VIEW WITH ITEM 7 REMOVED



VIEW WITH ITEMS 7 & 13 REMOVED



PART SECTION THROUGH ITEMS 9, 11 & 13.  
ITEM 7 OMITTED

ITEM	DESCRIPTION	DRG.	No. OFF		SCREWS, ETC.	MTL.	FINISH	No. OFF	
			706 CB (MK2) ALTERNATIVE CONSTRUCTION	706 CB (MK2) ALTERNATIVE CONSTRUCTION				706 CB (MK2) ALTERNATIVE CONSTRUCTION	706 CB (MK2) ALTERNATIVE CONSTRUCTION
1	Ø BELL - GONG N° 24A	91846	1	1	SC. 4 B.A. x 5/16 CH. HD.	M.S.	*	1	1
2	Ø BELL - GONG N° 24B	91846	1	1	SC. 4 B.A. x 5/16 CH. HD.	M.S.	*	1	1
3	Ø BELL N° 59A - 1 UNMOUNTED	9874	1	1	SC. 4 B.A. x 1/4 CH. HD.	M.S.	*	2	2
4	Ø BLOCK, TERMINAL N° 30 (COLOUR)	91148	1	1					
5	Ø CORD, INSTRUMENT N° 3/108.AA (COLOUR) 54"	91046	1	1					
6	Ø CORD, INSTRUMENT N° 4/88.AK (COLOUR) 10"	91175	1	1					
7	Ø HANDSET N° 3 (COLOUR)	91199/1	1	1					
8	Ø REGULATOR N° 1.	91270	1	1					
9	Ø TELEPHONE N° 706... (COLOUR) WIRING BOARD SUB-ASSEMBLY 'A' & COMPONENT SCHEDULE	91273/1	1	—					
10	Ø LABEL, DIAGRAM N° 806 FOR ALTERNATIVE CONSTRUCTION (SEE SPEC. 5586) PANEL 2	DGMN806	1	1					
11	Ø PART 1/DBA/95 (BASE, TELEPHONE)	DBA/95	1	1	SC. 4 B.A. x 5/16 CH. HD.	M.S.	*	2	2
12	Ø PART 2/DBU/259 (BUTTON)	DBU/259	4	4					
13	Ø PART 3/DCO/611 (COLOUR) COVER, TELEPHONE (CB COMPLETE)	DCO/611	1	1					
14	Ø PART 1/DLI/20 (LINK)	DLI/20	6	6					
15	Ø PART 1/DPL/778 (PLATE, METAL)	DPL/778	1	1					
16	Ø PART 1/DRI/51 (RING, CLAMPING, DIAL)	DRI/51	1	1	SC. 4 B.A. x 3/16 CH. HD. SC. 4 B.A. x 3/16 CH. HD.	BR. BR.	N.I.P.MT. N.I.P.MT.	1 1	1 1
17	Ø PART 1/DST/558 (STRIP, WIRING, TERMINATION)	DST/558	1	1					
18	Ø PART 1/DSU/12 (SUPPORT, WIRING BOARD)	DSU/12	1	—					
19	Ø TELEPHONE N° 706... (COLOUR) WIRING BOARD SUB-ASSEMBLY 'B' & COMPONENT SCHEDULE	91273/1	—	1					
20	Ø PART 2/DSU/12 (SUPPORT, WIRING BOARD)	DSU/12	—	1					

Ø REPLACEABLE ITEM

\* ZN. P. & PASS. CR  
ZN. P. & LAC.

COLOURS -  
BLACK, BLUE, GREEN, GREY,  
IVORY, RED, YELLOW.

DO NOT SCALE  
(A MICROFILM PROCESS PRINT)

FOR SUPERSEDING ITEM FOR NEW  
WORK SEE DRG. 91272/3 (MARK 2A)

TELEPHONE N° 706 CB (COLOUR)  
(MARK 2)  
ASSEMBLY

FOR ALTERNATIVE DESIGN  
SEE MARK 1, DRG. 91272/2, SHEET 1

DIMENSIONS IN INCHES.