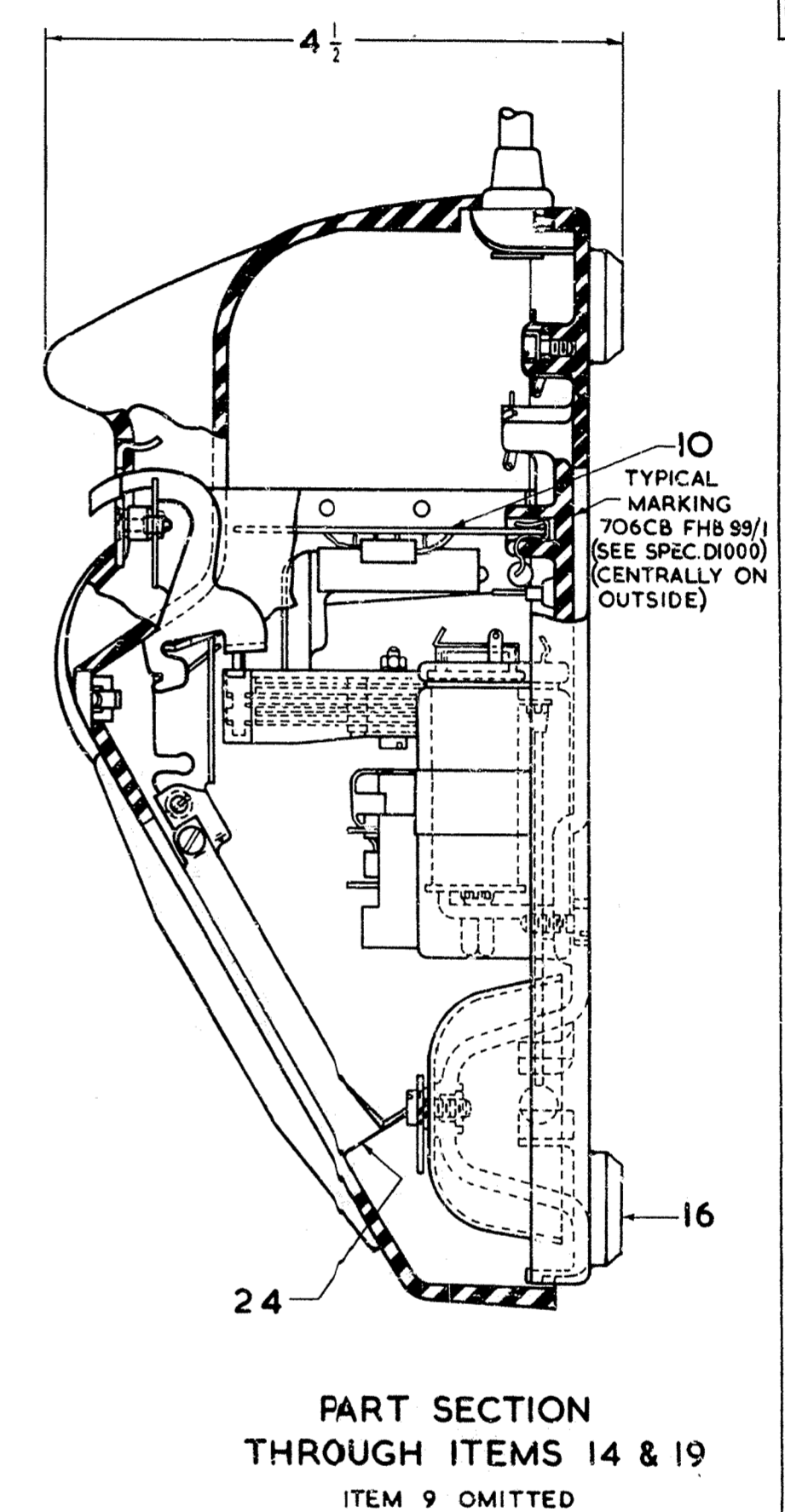
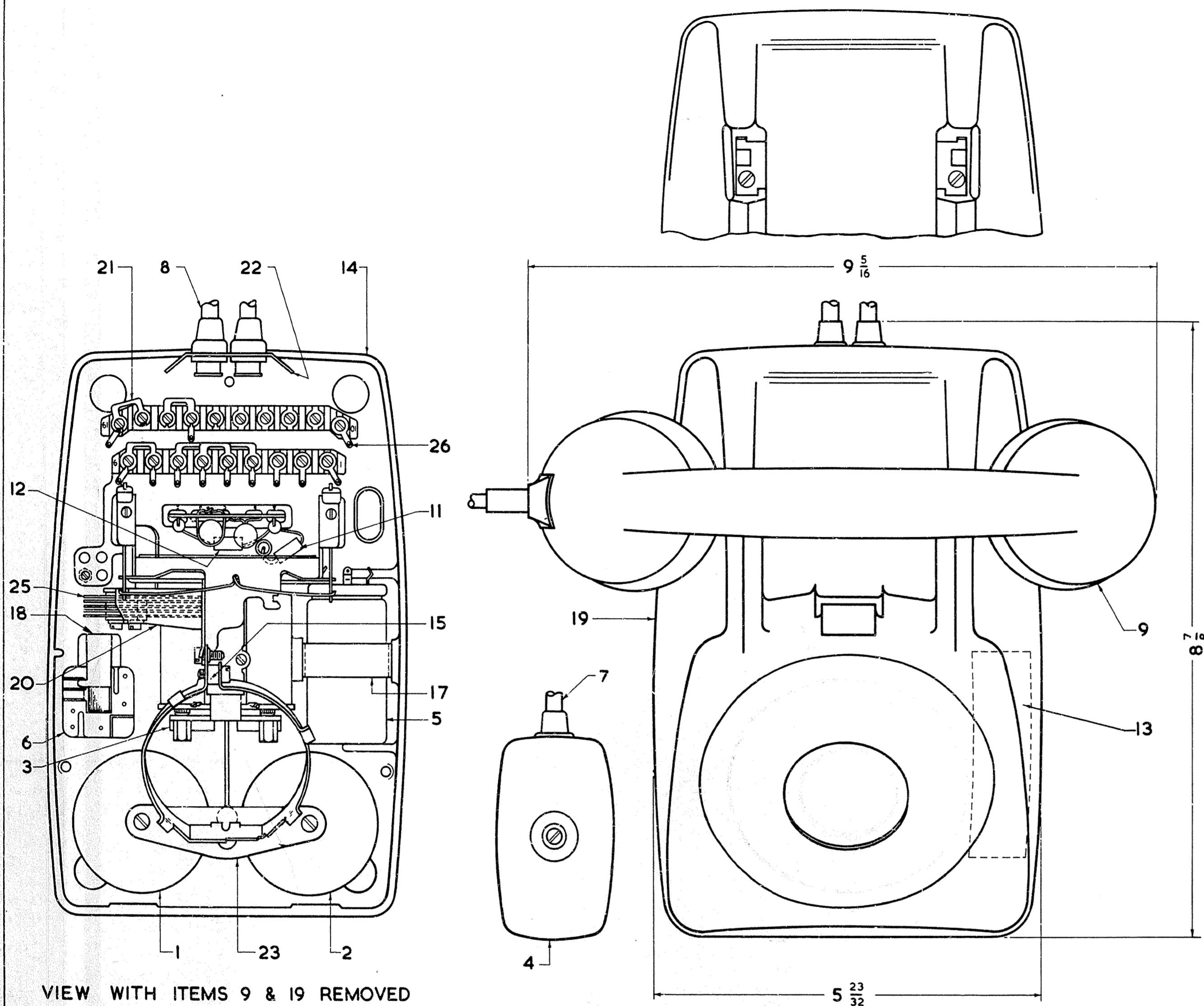


| | | |
|---|--------------------------|-------------|
| DISTRIBUTION GENERAL | | |
| REFERENCES | | |
| SEI SCHED. | DGM N806 | SPEC D1000 |
| | | 5581 |
| ASSEMBLY DRG | | |
| WIRING DGM | | N806 |
| FILE 53500/706 | B T.T.D.C | SPEC 5585 |
| SCALE - 1 AND AS | | THIRD ANGLE |
| | | PROJECTION |
| DECIMAL DIMENSIONS NOT TOLERANCED SUBJECT TO | | |
| APP'D IN SI/I SECTION | DRN. PHOTO - COPIED 8 | |
| | TCD. <i>W</i> | |
| | CKD. <i>W</i> | |
| | DATE 29.11.63 | |
| AMENDMENT | | SUFFIX |
| ITEM 9:- DRG. No. WAS 91199/1 | | A |
| <i>W</i> 24H. | | 17-12-63 |
| SUPERSESION NOTE ADDED. ITEM 9:- ADDED TO DRG. No. 19.11.64 | | B |



VIEW WITH ITEMS 9 & 19 REMOVED

PART SECTION THROUGH ITEMS 14 & 19
ITEM 9 OMITTED

| SCHEDULE | | | | | | | |
|----------|--|----------|---------|---|-------------------|--|--------------|
| ITEM | DESCRIPTION | DRG. | No. OFF | SCREWS, ETC. | MTL. | FINISH | No. OFF |
| 1 | Ø BELL - GONG No 24A | 91846 | 1 | SC. 4 BA. x 3/8" CH. HD. | M.S. | Zn.P. & PASSIVATE OR Zn.P. & LAC. | 1 |
| 2 | Ø BELL - GONG No 24B | 91846 | 1 | SC. 4 BA. x 3/8" CH. HD. | M.S. | Zn.P. & PASSIVATE OR Zn.P. & LAC. | 1 |
| 3 | Ø BELL No 59A-1 UNMOUNTED | 9874 | 1 | SC. 4 BA. x 1/4" CH. HD. | M.S. | Zn.P. & PASSIVATE OR Zn.P. & LAC. | 2 |
| 4 | Ø BLOCK, TERMINAL No 30 (COLOUR) | 91148 | 1 | | | | |
| 5 | Ø CAPACITOR, PAPER No 7719 | CD1421 | 1 | | | | |
| 6 | Ø COIL, INDUCTION No 31 | 91271/2 | 1 | | | | |
| 7 | Ø CORD, INSTRUMENT No 3/108AA (COLOUR) 54" | 91046 | 1 | | | | |
| 8 | Ø CORD, INSTRUMENT No 4/88AA (COLOUR) 10" | 91175 | 1 | | | | |
| 9 | Ø HANDSET No 3 (COLOUR) | 91199/2 | 1 | | | | |
| 10 | Ø REGULATOR No 1 | 91270 | 1 | | | | |
| 11 | Ø RESISTOR, CARBON No 26 GC 39 Ω | CD1387 | 1 | | | | |
| 12 | Ø RESISTOR, CARBON No 26 GC 150 Ω | CD1387 | 1 | | | | |
| 13 | LABEL DIAGRAM N806 FOR ALTERNATIVE SEE SPEC. D 986 | DGM N806 | 1 | | | | |
| 14 | Ø PART 2/DBA/93 (BASE, TELE. COMPLETE) | DBA/93 | 1 | SC. 8 BA. x 1/2" CH. HD. WASHER 8 BA SMALL SC. 6 BA. x 1/4" CH. HD. | BR. BR. BR. | N.I.P. MT. N.I.P. MT. N.I.P. MT. | 1 1 19 |
| 15 | Ø PART 5/DBU/67 (BUSH, METAL) | DBU/67 | 1 | | | | |
| 16 | Ø PART 2/DBU/259 (BUTTON) | DBU/259 | 4 | | | | |
| 17 | Ø PART 1/DCL/135 (CLIP, CAPACITOR) | DCL/135 | 1 | | | | |
| 18 | Ø PART 2/DCL/136 (CLIP, COIL, INDUCTION) | DCL/136 | 1 | | | | |
| 19 | Ø PART 3/DCO/611 (COLOUR) (COVER, TELE. COMPLETE) | DCO/611 | 1 | | | | |
| 20 | Ø PART 1/DCO/613 (COVER, SPRING-SET) | DCO/613 | 1 | | | | |
| 21 | Ø PART 1/DLI/19 (LINK) | DLI/19 | 6 | | | | |
| 22 | Ø PART 1/DPL/733 (PLATE, CLAMPING SLEEVE, CORD) | DPL/733 | 1 | | | | |
| 23 | Ø PART 1/DPL/778 (PLATE, METAL) | DPL/778 | 1 | | | | |
| 24 | Ø PART 10R2/DRI/51 (RING, CLAMPING, DIAL) | DRI/51 | 1 | SC. 4 BA. x 1/2" CH. HD. SC. 4 BA. x 3/8" CH. HD. | M.S. M.S. | Zn.P. & PASSIVATE OR Zn.P. & LAC. Zn.P. & PASSIVATE OR Zn.P. & LAC. | 1 1 |
| 25 | Ø PART 1/DS/1234 (SPRING-SET ASSEMBLY) | DS/1234 | 1 | SC. 6 BA. x 1/8" CH. HD. | M.S. | Zn.P. & PASSIVATE OR Zn.P. & LAC. | 2 |
| 26 | Ø PART 10/STA/71 (TAG) | STA/71 | 12 | | | | |

Ø REPLACEABLE ITEM

COLOURS:- BLACK, BLUE, GREEN, GREY, IVORY, RED & YELLOW

FOR ALTERNATIVE DESIGN
SEE MARK 2, DRG. 91272/2 SHEET 2

DO NOT SCALE
(A MICROFILM PROCESS PRINT)

FOR SUPERSEDING ITEM FOR NEW WORK
SEE DRG. 91272/3 (SHEET 1-2)

TELEPHONE
No. 706CB (COLOUR)
(MARK I)
ASSEMBLY