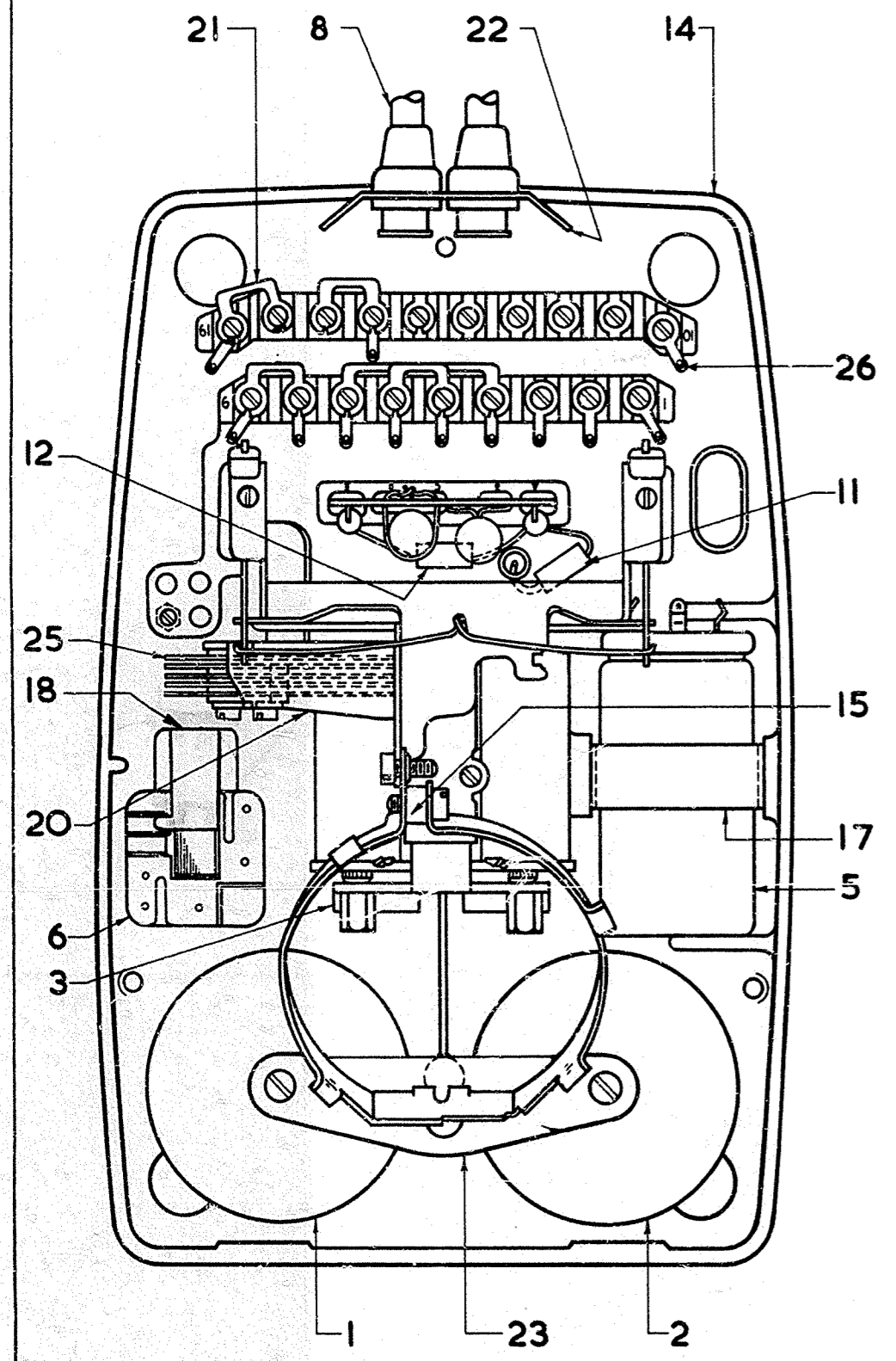
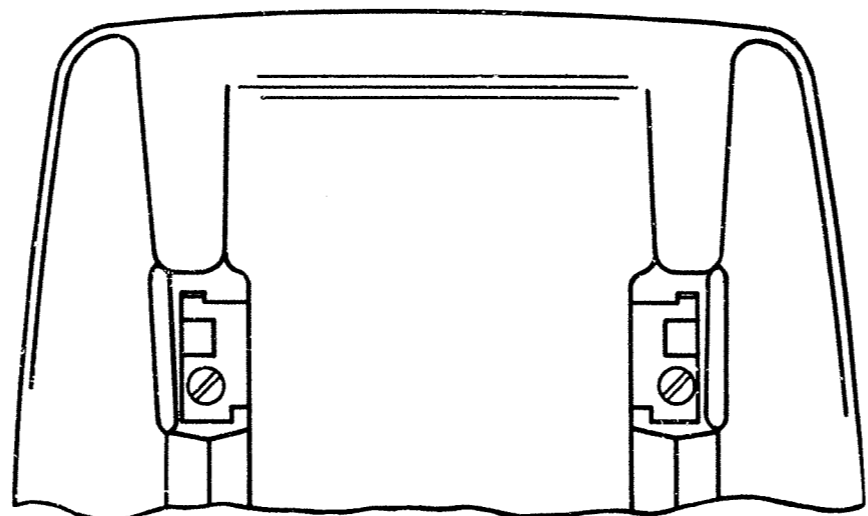
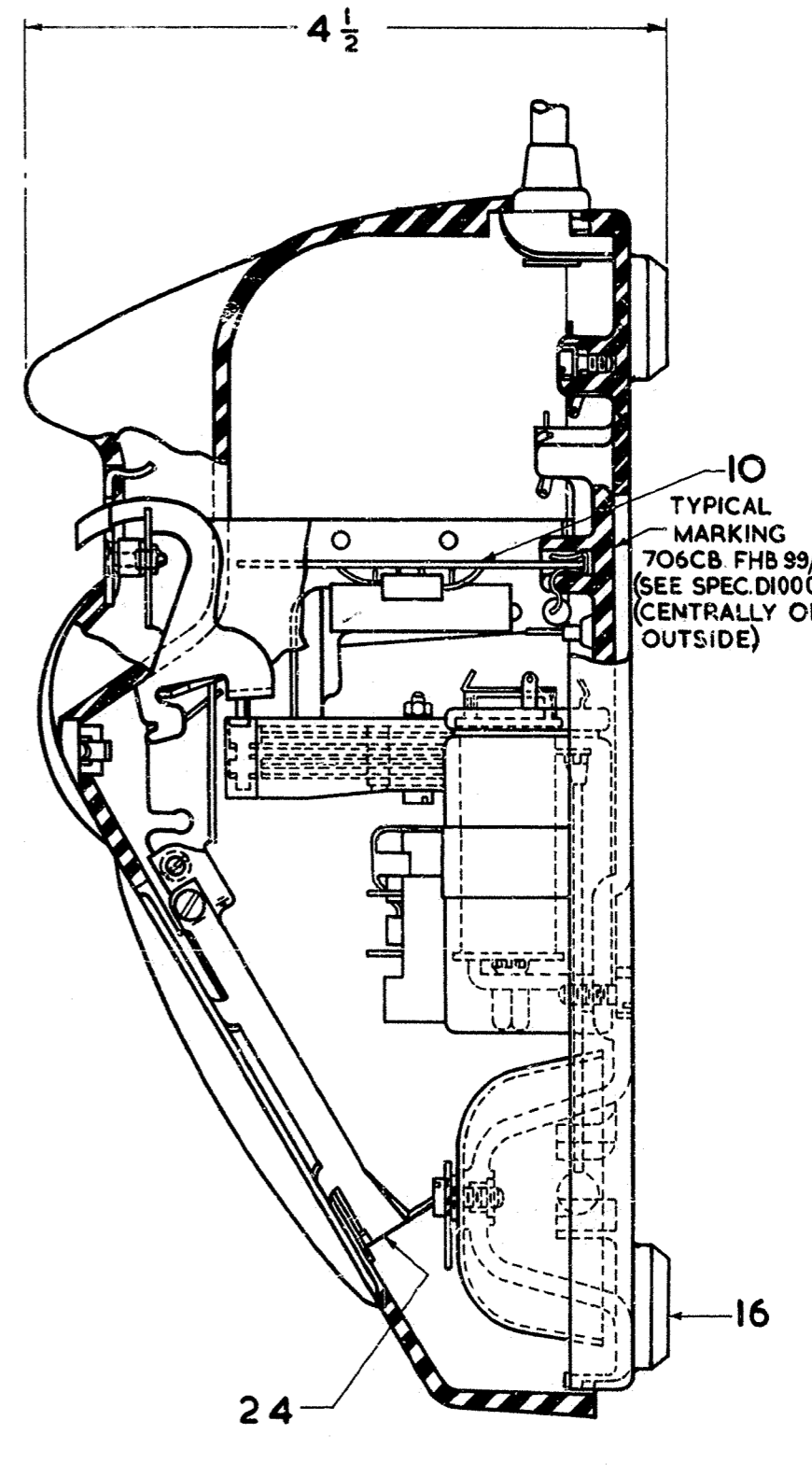
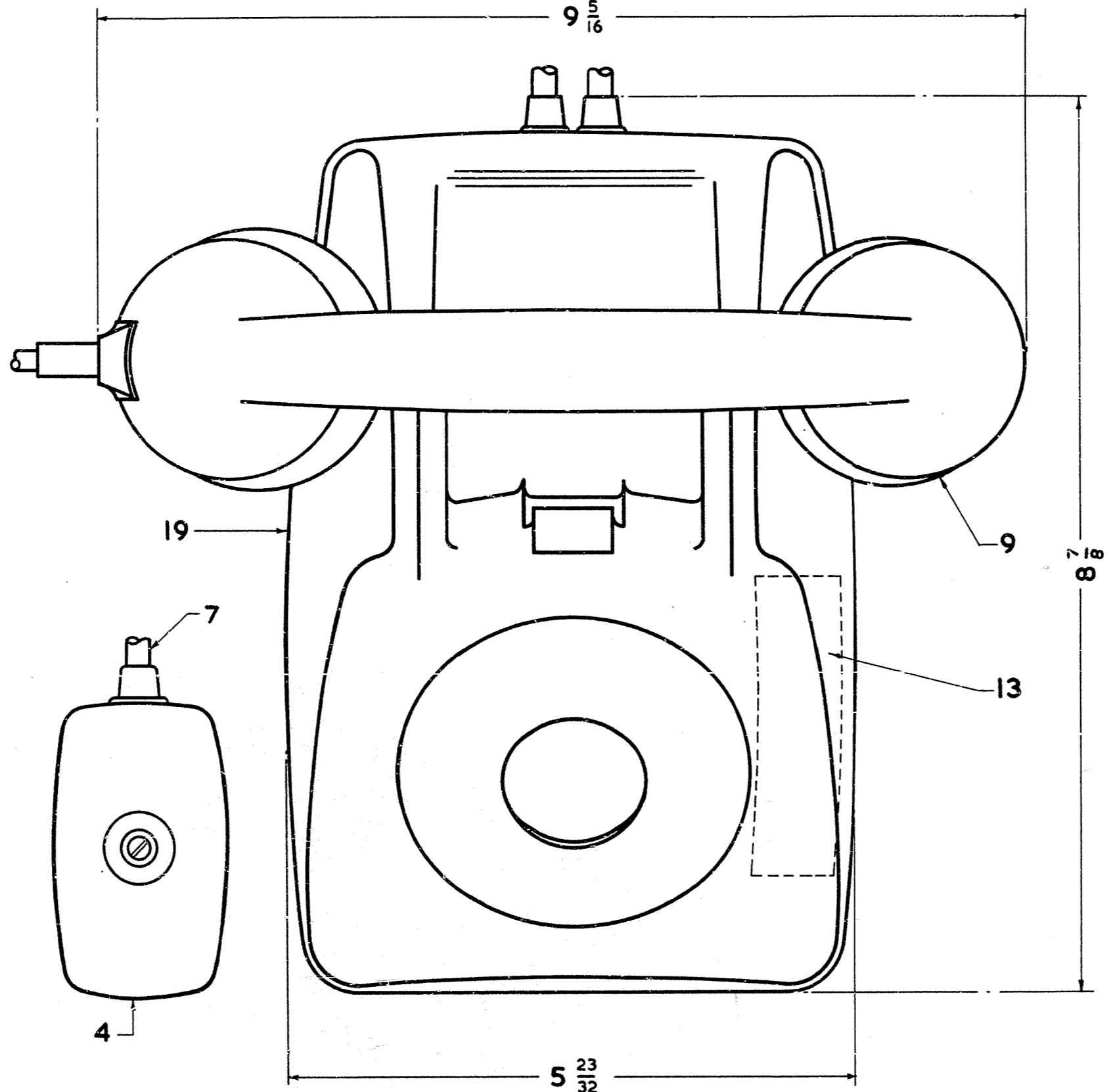


POST OFFICE ENGINEERING DEPT 5 BRANCH	
DISTRIBUTION GENERAL	
REFERENCES	
SEE SCHED.	DGM N806 SPEC D1000 5586
ASSEMBLY DRG	
WIRING DGM N806	
FILE E.53500/704	B.T.T.D.C. SPEC 5586
SCALE - 1 AND A5	THIRD ANGLE PROJECTION
DECIMAL DIMENSIONS NOT TOLERANCED SUBJECT TO	
APP'D IN S/I/ SECTION	DRN. PHOTO COPIED &...
TCD.	
CKD. <i>W.B.</i>	
DATE 1. 10. 63	
AMENDMENT	
SUPERSESSION NOTE ADDED <i>W.B.</i>	SUFFIX A



VIEW WITH ITEMS 9 & 19 REMOVED



PART SECTION THROUGH ITEMS 14 & 19
ITEM 9 OMITTED

SCHEDULE							
ITEM	DESCRIPTION	DRG.	No. OFF	SCREWS, ETC.	MTL.	FINISH	No. OFF
1	Ø BELL - GONG No. 24A	91846	1	SC. 4 B.A. x 3/8" CH. HD.	M.S.	ZN P. & PASSIVATE OR ZN P. & LAC.	1
2	Ø BELL - GONG No. 24B	91846	1	SC. 4 B.A. x 3/8" CH. HD.	M.S.	ZN P. & PASSIVATE OR ZN P. & LAC.	1
3	Ø BELL No. 59A-1 UNMOUNTED	9874	1	SC. 4 B.A. x 1/4" CH. HD.	M.S.	ZN P. & PASSIVATE OR ZN P. & LAC.	2
4	Ø BLOCK, TERMINAL No. 30 (COLOUR)	91148	1				
5	Ø CAPACITOR, PAPER No. 7719	CDI421	1				
6	Ø COIL, INDUCTION No. 31	91271	1				
7	Ø CORD, INSTRUMENT No. 3/10BAA (COLOUR) 54"	91646	1				
8	Ø CORD, INSTRUMENT No. 4/88AA (COLOUR) 10"	91175	1				
9	Ø HANDSET No. 3 (COLOUR)	91199/1	1				
10	Ø REGULATOR No. 1	91270	1				
11	Ø RESISTOR, CARBON No. 26 GC 39 Ω	CDI387	1				
12	Ø RESISTOR, CARBON No. 26 GC 150 Ω	CDI387	1				
13	LABEL DIAGRAM N806 FOR ALTERNATIVE SEE SPEC. D 586	DGM N806 PAGE 2	1				
14	Ø PART 1/DBA/93 (BASE, TELE. COMPLETE)	DBA/93	1	SC. 8 B.A. x 1/2" CH. HD. WASHER 8 B.A. SMALL SC. 6 B.A. x 1/4" CH. HD.	BR. BR.	N.L.P. MT. N.L.P. MT.	1 19
15	Ø PART 5/DBU/67 (BUSH, METAL)	DBU/67	1				
16	Ø PART 2/DBU/259 (BUTTON)	DBU/259	4				
17	Ø PART 1/DCL/135 (CLIP, CAPACITOR)	DCL/135	1				
18	Ø PART 2/DCL/136 (CLIP, COIL, INDUCTION)	DCL/136	1				
19	Ø PART 1/DCO/611 (COLOUR) (COVER, TELE. 'B' COMPLETE)	DCO/611	1				
20	Ø PART 1/DCO/613 (COVER, SPRING-SET)	DCO/613	1				
21	Ø PART 1/DLI/19 (LINK)	DLI/19	6				
22	Ø PART 1/DPL/733 (PLATE, CLAMPING, SLEEVE, CORD)	DPL/733	1				
23	Ø PART 1/DPL/778 (PLATE, METAL)	DPL/778	1				
24	Ø PART 1/DR/2/DRI/51 (RING, CLAMPING, DIAL)	DR/51	1	SC. 4 B.A. x 1/2" CH. HD. SC. 4 B.A. x 3/8" CH. HD.	M.S. M.S.	ZN P. & PASSIVATE OR ZN P. & LAC. ZN P. & PASSIVATE OR ZN P. & LAC.	1 1
25	Ø PART 1/DSP/1234 (SPRING-SET ASSEMBLY)	DSP/1234	1	SC. 6 B.A. x 1/8" CH. HD.	M.S.	ZN P. & PASSIVATE OR ZN P. & LAC.	2
26	Ø PART 1/DS/A/71 (TAG)	STA/71	12				

Ø REPLACEABLE ITEM

COLOURS:- BLACK, BLUE, GREEN, GREY, IVORY, RED & YELLOW.

FOR ALTERNATIVE DESIGN
SEE MARK 2, DRG. 91272/1 SHEET 2

DIMENSIONS IN INCHES

DO NOT SCALE
(A MICROFILM PROCESS PRINT)

FOR SUPERSEDING ITEM FOR NEW WORK
SEE DRG. 91272/2 SHEET 1

TELEPHONE
No. 706CB (COLOUR)
(MARK I)
ASSEMBLY