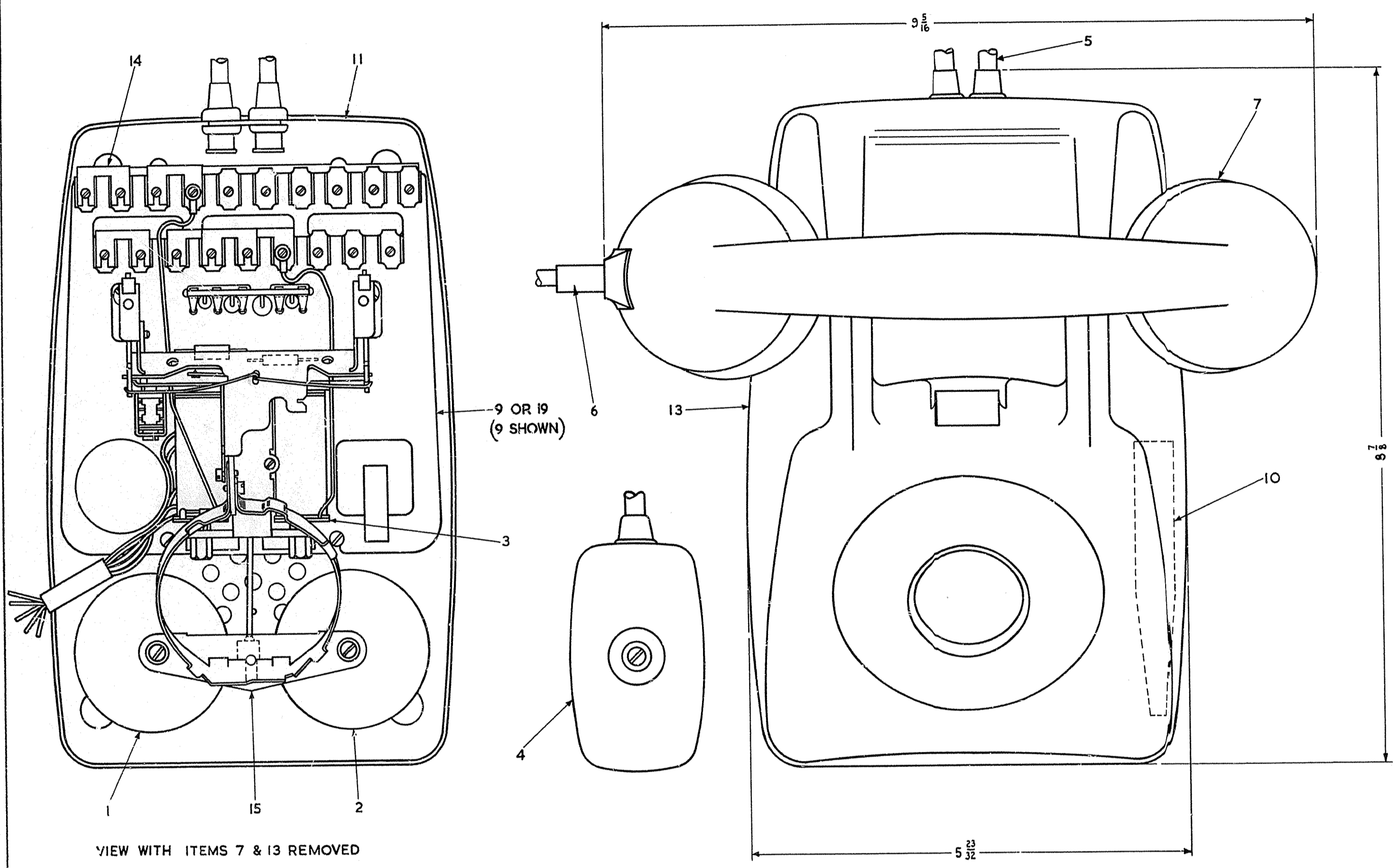
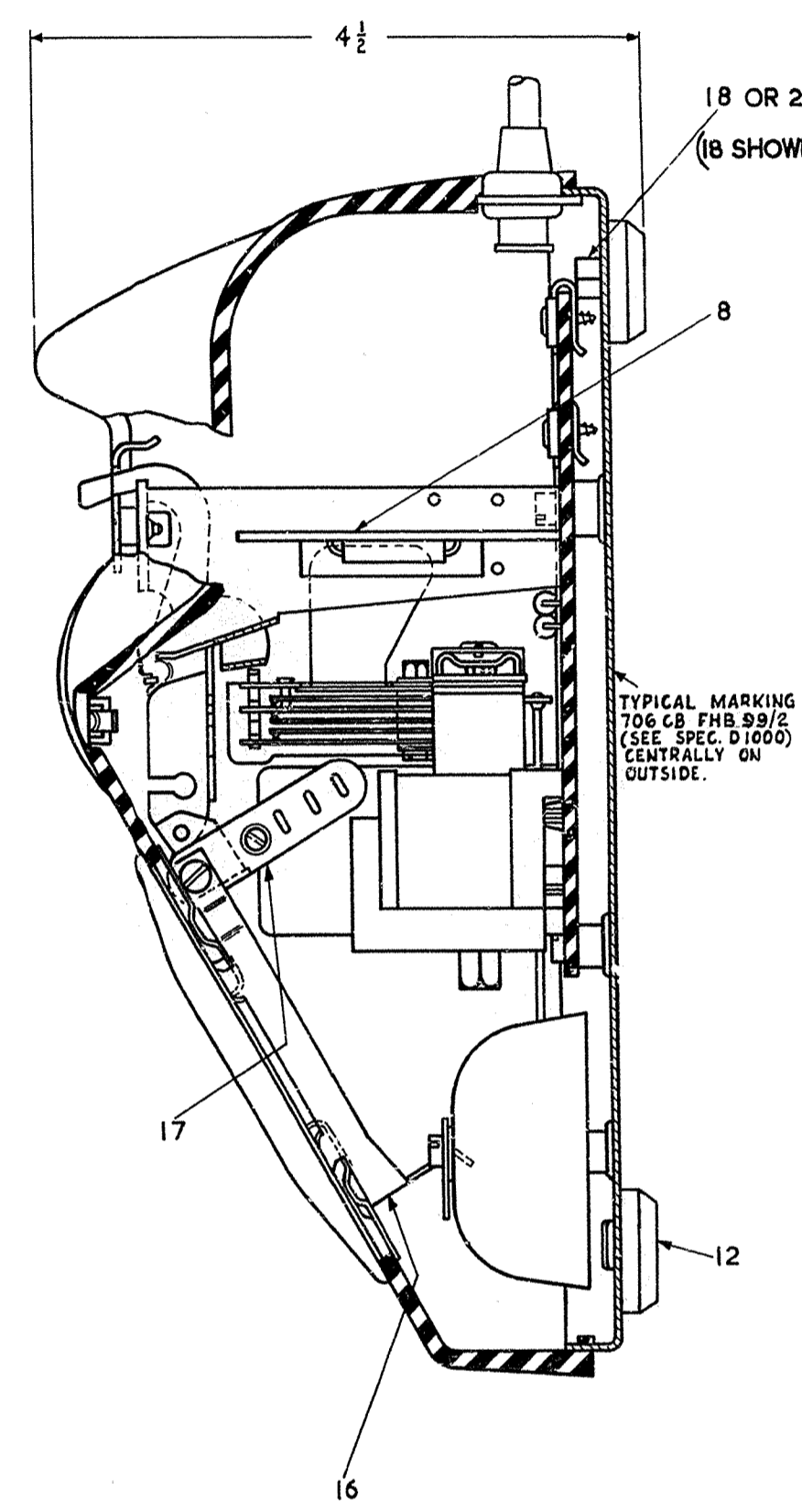


VIEW WITH ITEM 7 REMOVED



VIEW WITH ITEMS 7 & 13 REMOVED



PART SECTION THROUGH ITEMS 9, 11 & 13.  
ITEM 7 OMITTED

DISTRIBUTION GENERAL	
REFERENCES	
SEE SCHED. DGMN806	SPEC. D1000 586
ASSEMBLY DRG.	WIRING DGM N 806
FILE 53500/706	B.T.T.D.C. SPEC 5 586
SCALE 1/1	AND AS INDICATED
THIRD ANGLE PROJECTION	
DECIMAL DIMENSIONS NOT TOLERANCED SUBJECT TO	
APP'D. INST/SECTION	DRN } A.E.I. CONTRS & CKD. RBT.
<i>Alarney</i>	DATE 13.2.61
AMENDMENT	SUFFIX
ITEM 12:- WAS 1/DBU/259	A
ITEMS 19 & 20 ADDED. SCHEDULE REVISED TO SHOW ALTERNATIVE CONSTRUCTION. J.C. DB	B
ITEMS 1 & 2:- WERE NOS. 23A & 23B RESPECTIVELY. DB	C
MADE 10 & SUPERSESION NOTE ADDED. ITEM 5 WAS CORD INST. No. 3/108 AK. Rev DB Oct. 16.9.63	

ITEM	DESCRIPTION	DRG.	No. OFF		SCREWS, ETC.	MTL.	FINISH	No. OFF	
			706 CB (MK2)	706 CB (MK2) ALTERNATIVE CONSTRUCTION				706 CB (MK2)	706 CB (MK2) ALTERNATIVE CONSTRUCTION
1	Ø BELL - GONG N° 24A.	91846	1	1	SC. 4 B.A. x 5/16 CH. HD.	M.S.	*	1	1
2	Ø BELL - GONG N° 24B.	91846	1	1	SC. 4 B.A. x 5/16 CH. HD.	M.S.	*	1	1
3	Ø BELL N° 59A - 1 UNMOUNTED.	9874	1	1	SC. 4 B.A. x 1/4 CH. HD.	M.S.	*	2	2
4	Ø BLOCK, TERMINAL N° 30 (COLOUR)	91148	1	1					
5	Ø CORD, INSTRUMENT N° 3/108AA (COLOUR) 54"	91046	1	1					
6	Ø CORD, INSTRUMENT N° 4/88AK (COLOUR) 10"	91175	1	1					
7	Ø HANDSET N° 3 (COLOUR)	91193/4	1	1					
8	Ø REGULATOR N° 1.	91270	1	1					
9	Ø TELEPHONE No. 706... (COLOUR) WIRING BOARD SUB-ASSEMBLY 'A' & COMPONENT SCHEDULE	91273	1	—					
10	LABEL, DIAGRAM N 806. FOR ALTERNATIVE CONSTRUCTION SEE SPEC. 5586	DGMN806 PANEL 2.	1	1					
11	Ø PART 1/DBA/95 (BASE, TELEPHONE)	DBA/95	1	1	SC. 4 B.A. x 5/16 CH. HD.	M.S.	*	2	2
12	Ø PART 2/DBU/259 (BUTTON)	DBU/259	4	4					
13	Ø PART 1/DCO/611 (COLOUR) COVER TELEPHONE (CB COMPLETE)	DCO/611	1	1					
14	Ø PART 1/DLI/20 (LINK).	DLI/20	6	6					
15	Ø PART 1/DPL/778 (PLATE, METAL)	DPL/778	1	1					
16	Ø PART 1/DRI/51 (RING, CLAMPING, DIAL)	DRI/51	1	1	SC. 4 B.A. x 3/16 CH. HD. SC. 4 B.A. x 3/16 CH. HD.	BR. NI P. MT. NI P. MT.		1	1
17	Ø PART 1/DST/558 (STRIP, WIRING, TERMINATION)	DST/558	1	1					
18	Ø PART 1/DSU/12 (SUPPORT, WIRING BOARD)	DSU/12	1	—					
19	Ø TELEPHONE No. 706... (COLOUR) WIRING BOARD SUB-ASSEMBLY 'B' & COMPONENT SCHEDULE	91273	—	1					
20	Ø PART 2/DSU/12 (SUPPORT, WIRING BOARD)	DSU/12	—	1					

Ø REPLACEABLE ITEM.

\* ZN. P. & PASS OR ZN. P. & LAC.

COLOURS:-  
B. BLACK, BLUE, GREEN, GREY,  
IVORY, RED, YELLOW.

S TELEPHONE 800

FOR ALTERNATIVE DESIGN SEE MARK 1, DRG. 91272/O SHEET 1

DIMENSIONS IN INCHES.

TELEPHONE No. 706 CB (COLOUR) (MARK 2) ASSEMBLY