

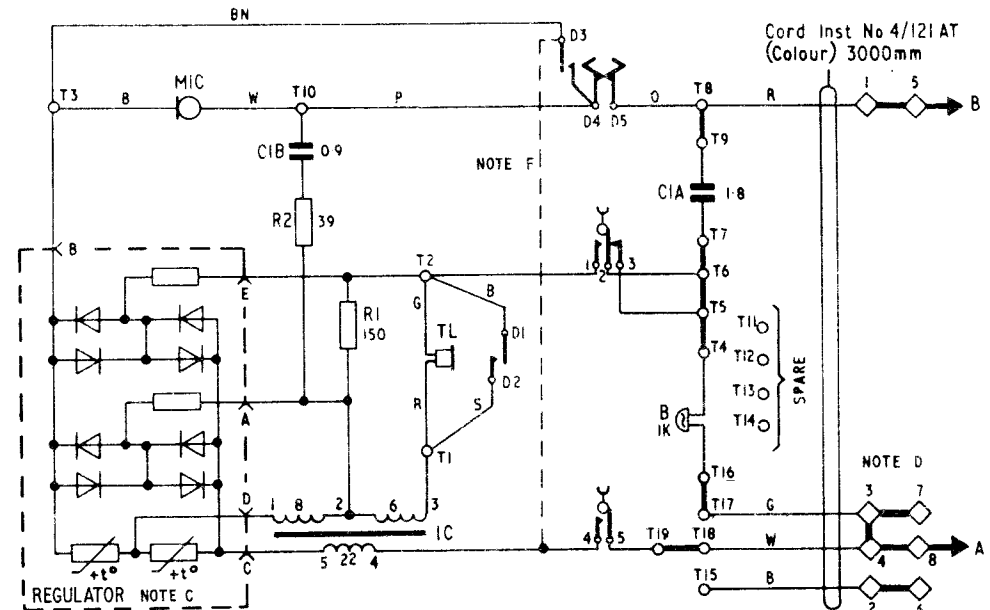
**CONTENTS**

|   |       |
|---|-------|
| Circuit diagram, showing connexions as issued               | Fig.1 |
| Automatic systems, shared service lines                     | Fig.2 |
| 2-Wire P.B.X. Extensions with recall                        | Fig.3 |
| P.M.B.X. with additional signalling C-Wire                  | Fig.4 |
| C.B.S. Nos.2 and 3 Systems including shared service working | Fig.5 |
| C.B. System shared service lines                            | Fig.6 |
| Generator Signalling private circuits                       | Fig.7 |

**REFERENCES**

|                 |                   |
|-----------------|-------------------|
| Maintenance     | TI E5 B2706       |
| Installation    | TI C3 B1001       |
| Auxiliary units | Dgms N4700 & N808 |
| Press-buttons   | Dgm N809          |

FIG.1 TELEPHONE No.706F  
CIRCUIT DIAGRAM SHOWING CONNEXIONS AS ISSUED



- NOTES:-**
- A The CB Telephone is no longer stocked. When a dial-less instrument is required a Telephone No.706F should be requisitioned and the dial recovered. A Dial Auto Dummy No.7 should be fitted and the pink and orange conductors joined. See Dgm. N808.
  - B Telephone No.706R is supplied complete with a button engraved Recall and a Switch No.5A-3. See Fig.3 for connexions as issued.
  - C The regulator is made inoperative when reversed in the jack. In that condition Points B,C and D are connected together.
  - D When extension bell is required remove Strap BT3-BT4 and connect bell. A Switch No.5A-3 with Button 3/DBU/264 may be connected blue to T17, slate and brown to T18 to control the extension bell. Where this arrangement is unsuitable, a Switch No.2A may be fitted in a suitable position and wired to short circuit the extension bell.
  - E The leads of auxiliary units should be terminated as shown on appropriate diagram. Any spare lead should be secured to a spare terminal. Where this is not possible the leads should be insulated from electrical contact with parts of the telephone and from each other. Where additional terminals are required fit:-
    - 1 Part 2/DST/836 for Terminals T20-T25
    - 2 Parts 2/DST/836 for Terminals T20-T31
    - 1 Strip Conn No.155A for Terminals T20-T37
  - F Early issues have dial brown conductor connected to gravity switch Spring 4 instead of T3. This lead should be cut short at both ends or removed and a Cord, Inst No1/42E Brown connected between D3 and T3
  - G See Dgms N808 and N4700 for parts that can be added to the Telephone No.706...

|                   |       |   |                  |
|-------------------|-------|---|------------------|
| PO TELECOMMS HQRS |       |   |                  |
| PAPER :- W        | ISSUE |   |                  |
| DISTN :- GENERAL  | H     | Redrawn. CBSI deleted. Minor amendments. Telephone No.706R added. | TD-7-1-1 15-3-76 |
|                   | G     | Fig.1 : Note E added  | G.A.W. 12-11-68  |

FIG.2 AUTOMATIC SYSTEMS  
SHARED SERVICE LINES

USING :-  
Telephone No.706...  
Switch No.5A-3 (SA)  
Part 4/DBU/263 (Colour)  
Thermistor No.1A-1  
Valve, Electronic CV8790,7875 or 8805  
(Note B)

- NOTES :-
- A Remove Straps T5-T6, T16-T17, T18-T19  
Shift strap from BT3-4 to BT2-3
  - B In UAX areas with vibrator ringing,  
provide and fit Valve, Electronic CV...
  - C Exchange Line Connexions  
'A' wire to BT8 } Station X  
'B' wire to BT5 }  
'A' wire to BT5 } Station Y  
'B' wire to BT8 }
  - D When extension bell is required, remove  
Strap BT2-BT3 and connect bell to  
BT6-BT7

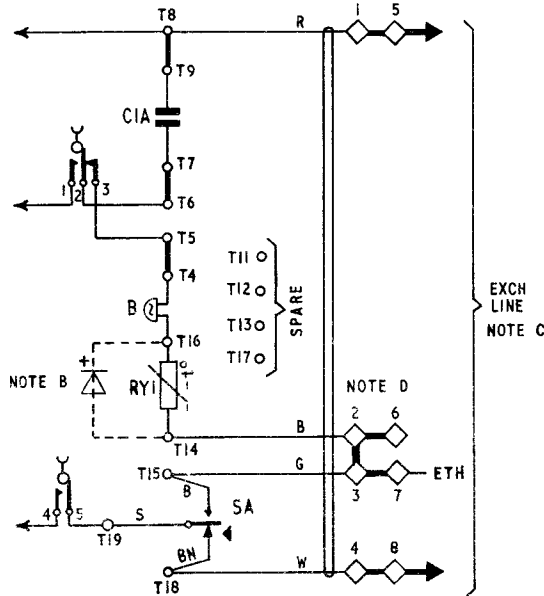


FIG.3 2 WIRE PBX EXTENSIONS WITH RECALL  
TELEPHONE No.706R CONNEXIONS AS ISSUED

USING :-  
Telephone No.706R  
or  
Telephone No.706F  
Switch No.5A-3 (SA)  
Part 4/DBU/263 (Colour)  
Rectifier Element No.205

- NOTES :-
- A On earlier issues the BN & S  
leads were shown reversed

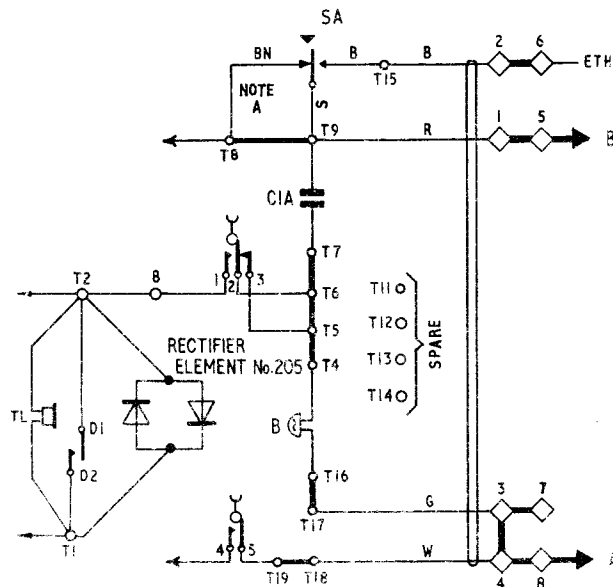
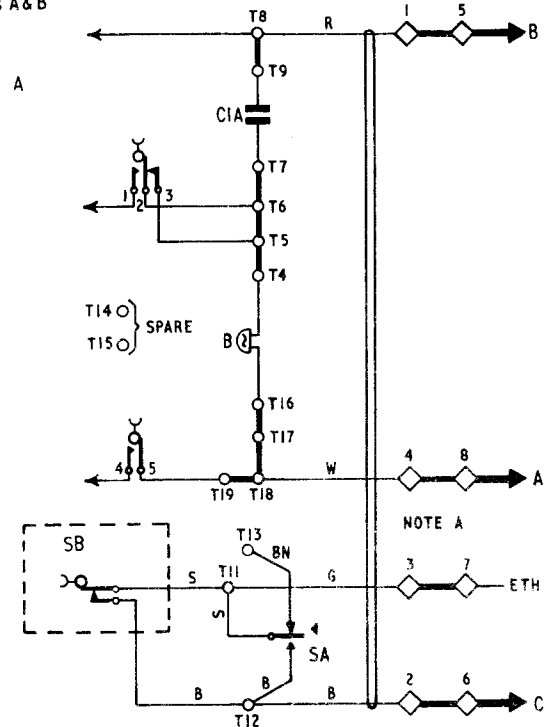


FIG. 4 PMBX WITH ADDITIONAL SIGNALLING C WIRE (PMBX 2/... and 3/... Note C)

USING :-  
Telephone No.706R  
Part 1/DSP/1252 (SB) } Notes A & B  
or  
Telephone No.706F  
Switch No.5A-3 (SA)  
Part 4/DBU/263 Colour } Note A  
Part 1/DSP/1252 (SB)

- NOTES :-
- A Remove Strap BT3-BT4  
and add Strap T17-T18
  - B The Switch No.5A-3 in a  
Telephone No.706R must be  
rearranged to accord with  
the diagram
  - C For 2-wire extensions  
using UAA No.96 or 96A  
wire the telephone to  
Fig. 3, or use Telephone  
No.706R as issued



**FIG 5** C.B.S. No.2 & 3 SYSTEMS

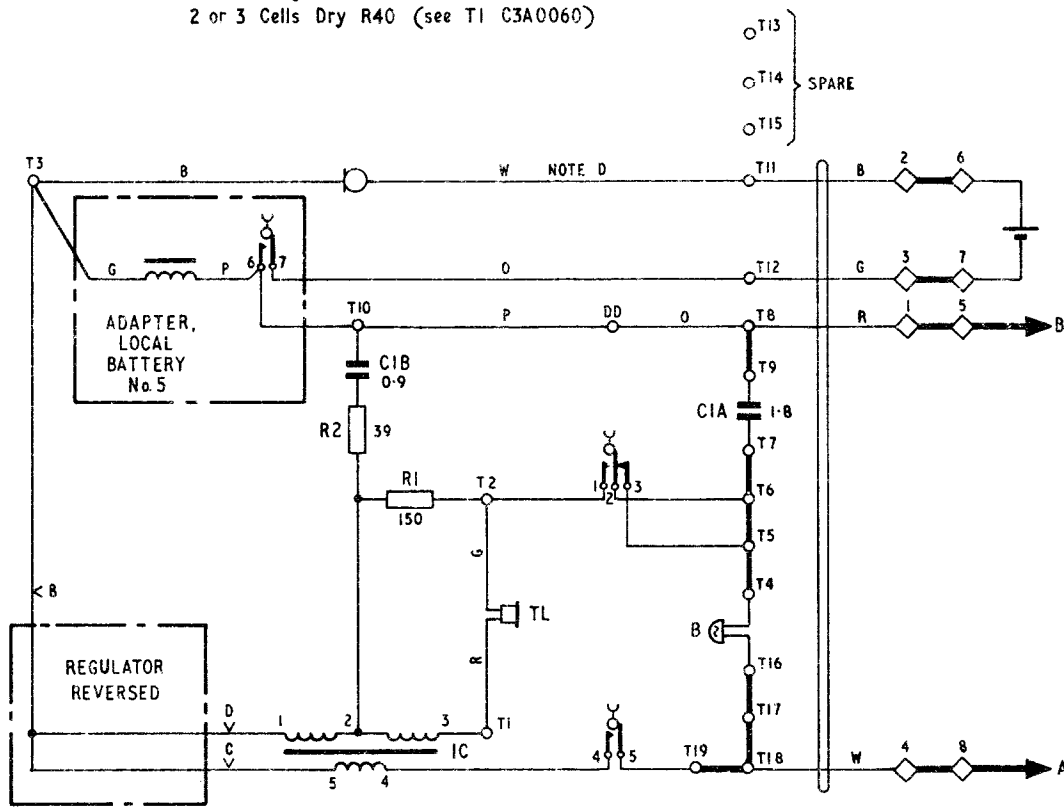
Using :-

Telephone No.706F . Note A

Adapter Local Battery No.5

Box Battery No.3

2 or 3 Cells Dry R40 (see TI C3A0060)



**NOTES :-**

A Convert Telephone No.706F to No.706CB as described in Fig.1 note A

B Insert Strap T17- T18

C Reverse regulator in jack

D Transfer white lead of handset cord from T10-T11

E For Shared Service Working

i Replace Cord, inst No. 4/121AT (Colour) 3000 mm by Cord, Inst No. 6/61AT (Colour) and BT No.52A by BT No.35A

ii Remove Strap T5-T6 and T17-T18

iii Exchange Line Connexions :-

A Wire to BT 10 } Station X

B Wire to BT 7 } Station X

A Wire to BT 7 } Station Y

B Wire to BT 10 } Station Y

iv If extension bell is required remove Strap BT5- BT6 and connect bell to BT11-BT12

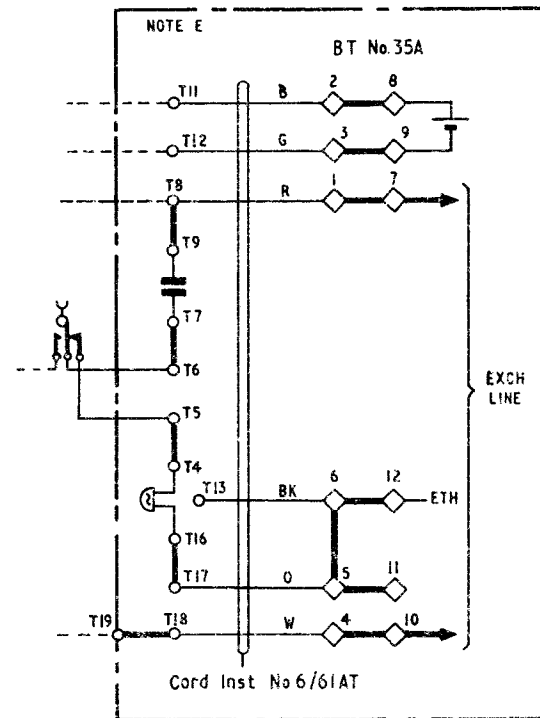
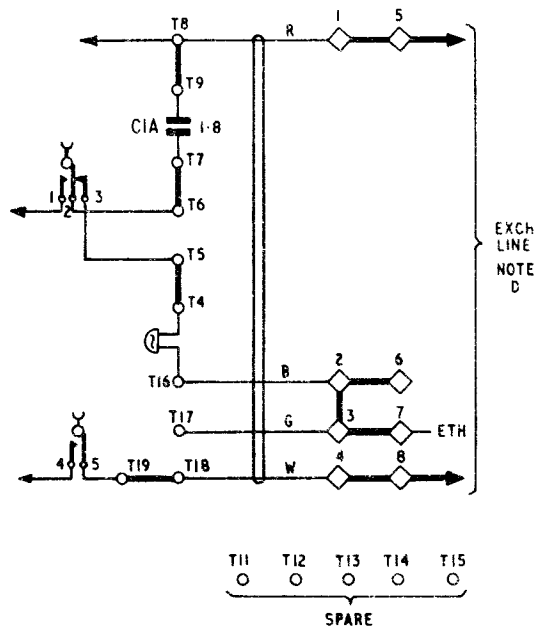


FIG. 6 C B SYSTEMS, SHARED SERVICE LINES USING :- Telephone No.706F. NOTE A

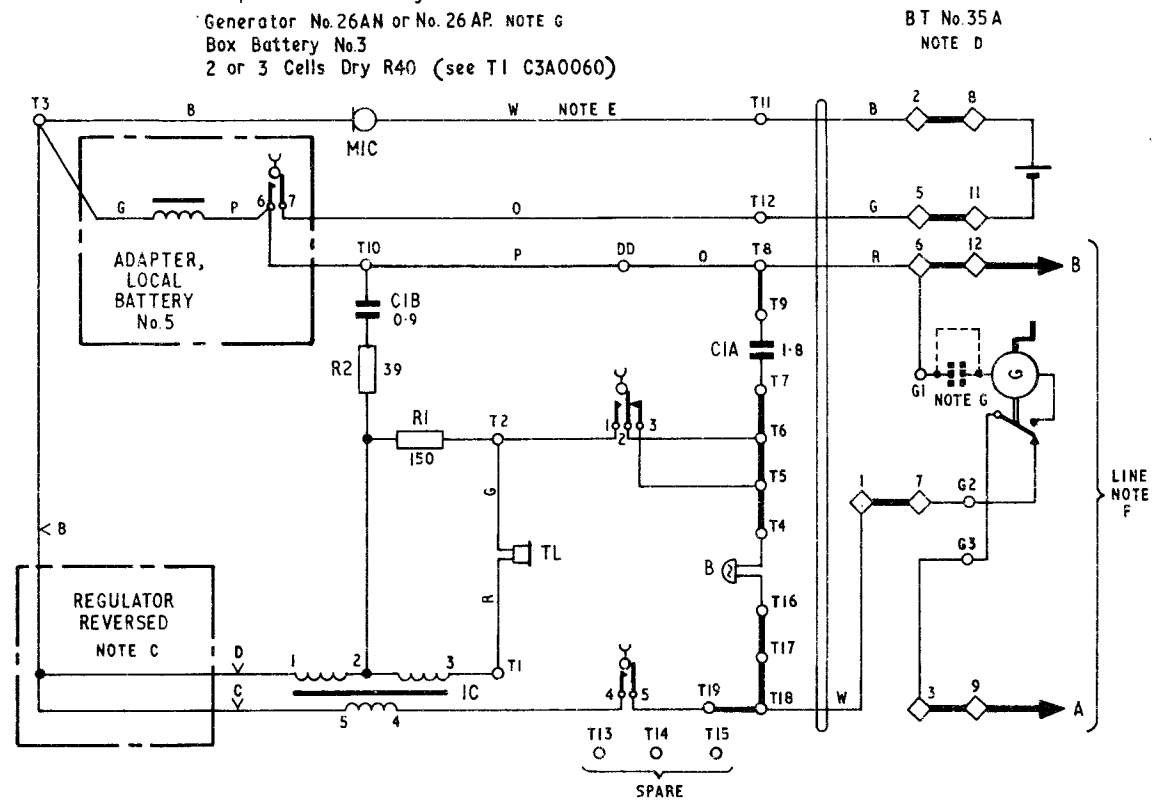


NOTES :-

- A Convert Telephone No.706F to 706CB as described in Fig.1 Note A.
- B Remove Strap T5-T6 & T16-T17. Remove Strap BT3-BT4, insert Strap BT2-BT3.
- C If extension bell is required provide and fit in place of Strap BT2-BT3
- D Exchange Line Connexions
  - 'A' wire to BT5 } Station X
  - 'B' wire to BT8 } Station Y
 Transpose 'X' and 'Y' for minor CB IO Exchanges

FIG. 7 GENERATOR SIGNALLING PRIVATE CIRCUITS

USING :-  
Telephone No.706F. NOTE A  
Adaptor Local Battery No.5  
Generator No.26AN or No. 26AP. NOTE G  
Box Battery No.3  
2 or 3 Cells Dry R40 (see T1 C3A0060)



NOTES :-

- A Convert Telephone No.706F to 706CB as described in Fig.1 Note A
- B Insert Strap T17-T18
- C Reverse regulator in jack
- D Replace BT No.52A by BT No.35A
- E Transfer white lead of handset cord from T10 to T11
- F For private circuits where a similar telephone is fitted at the distant end, the line connexion should be such that the two batteries are connected in series aiding
- G Generator No.26 AP may be used if the capacitor in it is short circuited.