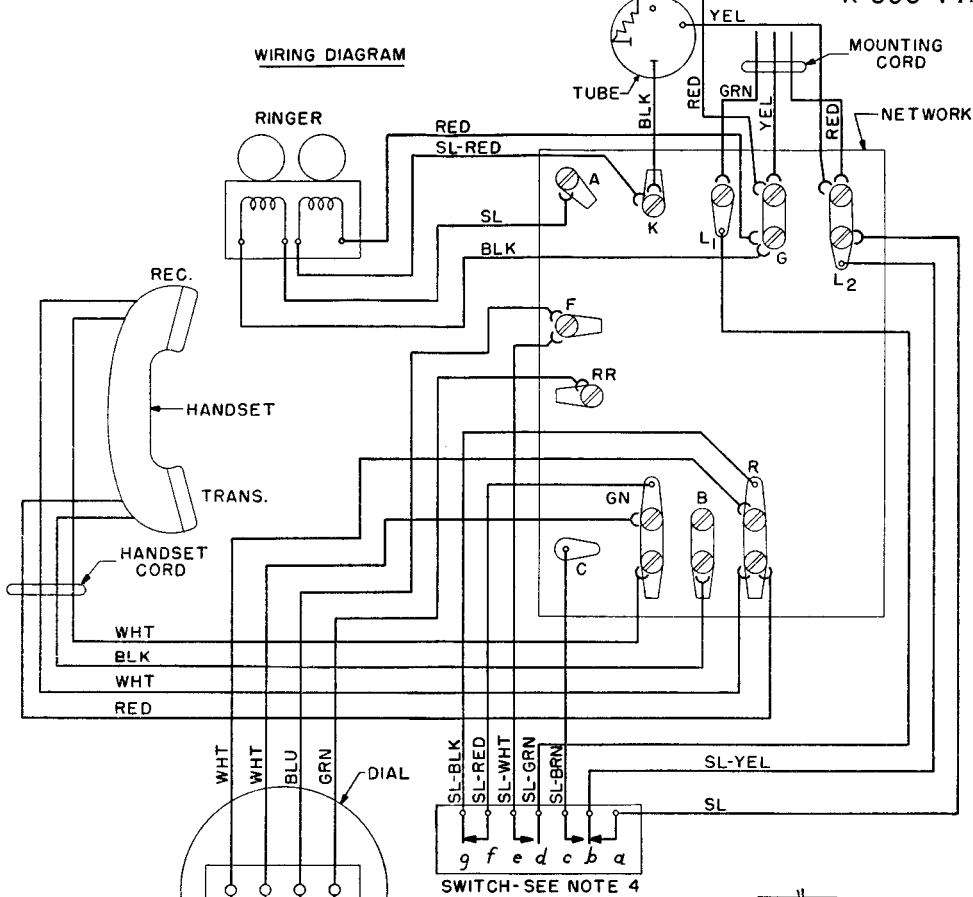


K-500 TYPE TELEPHONE CIRCUIT

WIRING DIAGRAM



CIRCUIT SCHEMATIC

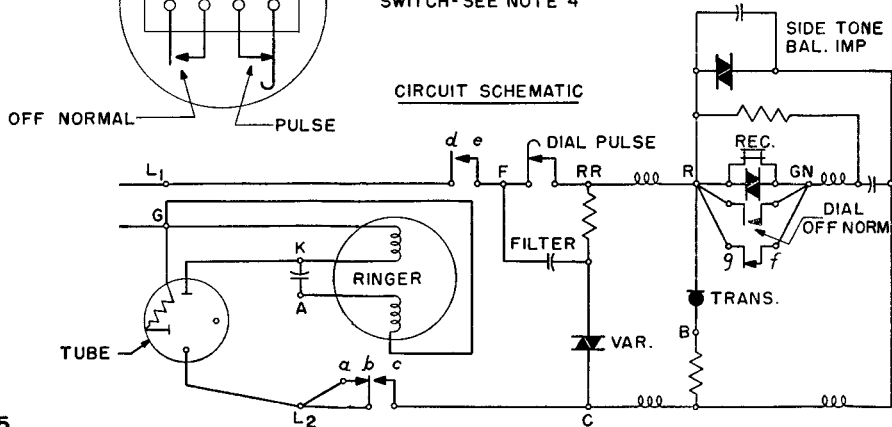


TABLE OF CONNECTIONS (POLARIZED RINGING)

CLASS OF SERVICE	CONNECTIONS AT CONNECTING BLOCK						CONNECTIONS AT NETWORK						
	LINE			MTG. CORD			TUBE LEADS			RINGER LEADS			
	RING	TIP	GRD.	RED	GRN	YEL	YEL	BLK	RED	RED	BLK	SL	SL-RED
(-) RING	R	G	Y	R	G	Y	L2	K	G	G	G	A	K
(+) RING	R	G	Y	R	G	Y	G	K	L2	L2	L2	A	K
(-) TIP	R	G	Y	G	R	Y	L2	K	G	G	G	A	K
(+) TIP	R	G	Y	G	R	Y	G	K	L2	L2	L2	A	K

NOTES:

- FOR MANUAL SERVICE:
REPLACE DIAL WITH DUMMY PLUG ASSEMBLY AND TRANSFER SLATE-WHITE SWITCH LEAD TO (RR) TERMINAL ON NETWORK.
- TO PERMANENTLY SILENCE RINGER:
FOR RING PARTY, CONNECT THE YELLOW MOUNTING CORD CONDUCTOR TO THE (R) TERMINAL OF THE CONNECTING BLOCK. FOR TIP PARTY, CONNECT THE YELLOW MOUNTING CORD CONDUCTOR TO THE (G) TERMINAL OF THE CONNECTING BLOCK.
- RINGER CUT-OFF CONTROL BY CUSTOMER:
BEND STOP NEXT TO DETENT ON RINGER VOLUME CONTROL SO THAT IT COMPLETELY CLEARS THE RIM OF THE RINGER FRAME. THIS PROVIDES A FURTHER POSITION ON VOLUME CONTROL WHICH PREVENTS ARMATURE MOVEMENT.
- WHEN THE HANDSET IS REMOVED CONTACT *gf* BREAKS LAST.